



NOTES



Fixture Type:

Project:

Location:

Model Numbers:

DESCRIPTION

- Intervals Recessed 2" Downlights offer specification-grade performance and features, in a completely modular and field-configurable system;
- Every light engine integrates with any of the trims, and every trim works with all of the ceiling application and housing options.

**DELIVERED LUMENS** Up to 1,100Lm

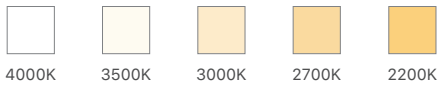
**WATTS** ~ 16W

**OPTICS** Field-Changeable 17° / 24° / 34° / 67°

TRIM OPTIONS

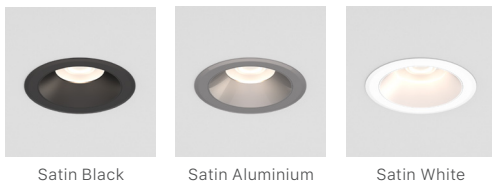
- Round Bevel
- Round Pinhole
- Round Decorative
- Square Bevel
- Square Pinhole

COLOR TEMPERATURE



Min. 90CRI

AVAILABLE TRIM FINISHES



CEILING APPLICATIONS



LIGHT ENGINE

- Up to 1,100 delivered lumens, 16W, field-replaceable;
- Cold forged aluminum with anodized champagne finish provides a lightweight heat sink with excellent thermal performance in a compact size;
- Cree chip-on-board LED, available in 4000K, 3500K, 3000K, 2700K, and 2200K, with min. 90CRI and 2-Step EasyWhite color binning (3-Step for 2200K);
- Same delivered lumens for every color temperature for easy specifying, no multipliers needed.

DRIVER

- Standard driver is field-replaceable and accessible from below the ceiling;
- 120/277VAC input;
- 1% dimming with forward/reverse phase (at 120VAC) and 0-10V dimming controls;
- Multiple drivers with additional dimming protocols available.

OPTICS

- Field-changeable TIR optics with a smooth beam, no softening lens required;
- Available in narrow spot (17°), medium spot (24°), wide spot (34°), and flood (67°) distributions;
- Up to 2 optical accessories can be used without any extra holder, to further refine lighting effects. Available optical accessories include honeycomb louver, micropism lens, linear spread lens, and clear glass lens.

TRIMS

- Die cast aluminum construction for strength and durability;
- Patent pending spring-loaded connection to the light engine keeps the optic tight against the trim opening, providing a highly efficient and an inherently airtight fixture;
- Electro-coated steel spring wings allow for tool-free installation and servicing in ceiling thicknesses from 0.5"-1.5";
- Delivered lumens are maintained through the full range of ceiling thicknesses;
- Round decorative trim features interchangeable glass and acrylic accessories that extend decorative lighting below the ceiling and extend and coordinate with the Intervals Suspended Beam Linear System;
- Available in powder coated satin white and satin black, and painted satin aluminum finishes.

CEILING APPLICATIONS

- Available in flanged, flangeless mud-in, and flangeless millwork, all in die cast aluminum;
- Flanged ceiling application features a tapered Feather Edge profile for a minimal appearance and provides a universal solution for all ceiling types. Available in trim-coordinating finishes of satin black, satin aluminum, and field-paintable satin white;
- Flangeless mud-in ceiling application securely attaches to the housing, providing a flush and seamless appearance in gypsum and plaster ceilings with no warping or cracking. Available in field-paintable satin white finish;
- Flangeless millwork ceiling application provides a flangeless appearance in wood or stone ceilings. Available in field-paintable satin white finish.

HOUSINGS/INSTALLATION

- Patent pending two-part junction box and driver housing is included for remodel and new construction installations and allows for easy servicing and inspection from below the ceiling;
- Junction box has two ½" trade size knockouts and is rated for through-wiring of 12AWG conductors;
- New Construction Pan and IC Housing feature a patent pending field-changeable adapter door, allowing the same pan or housing to be converted to a different size (2", 3", or 4") or shape (round or square) in the field, up until the ceiling is installed;
- Square adapter doors feature a reject collar that is adjustable 90 degrees and has gunsight notches for precise alignment;
- New Construction Pan and IC Housing include adjustable hanger bars for installation to wood joists or T-grid suspended ceilings;
- Adjustable height butterfly brackets are available for mounting with the available C-channel, the included adjustable hanger bars, EMT, or furring strip.

RATINGS/CERTIFICATIONS

- ETL listed to US and Canadian standards (UL1598);
- Wet location rated. Optional shower gasket available for use with flanged ceiling application. Millwork ceiling application requires caulking for wet location rating, otherwise damp location rated
- Meets CA Title 24 Part 6 JA8 High Efficacy LED and Chicago plenum requirements when used with standard driver and IC housing;
- 5 year limited warranty (see website for terms).
- Emergency Use: 35W High Efficiency Invertor with integrated battery backup and test switch available.





HOW TO ORDER

Intervals Recessed can be ordered in two ways: Made-To-Order with full configurability, and Quick Ship with limited configurability. For Made-To-Order, build your item numbers for the rough-in section (includes housing and driver) and the finishing section (includes LED light engine and trim), plus any accessories ordered separately. For Quick Ship, simply build the single Quick Ship item number, plus any accessories, ceiling applications, or optics (the preselected options for Quick Ship items are shown as highlighted in the Made-To-Order tables)

MADE-TO-ORDER PROGRAM ORDERING INFORMATION

ROUGH-IN SECTION ITEM NUMBER (Specify from left to right, filling in each box, e.g. 25RN2RICCPSTANFSH00V1)								
25RN2					SH			V1
Family	Aperture Shape	Mounting	Driver	Driver Location	Light Source/Power	Butterfly Brackets	Flangeless Mud-In	Version
25RN2 Intervals Recessed Rough-In Section	<b>R</b> Round	<b>ICCP</b> <sup>(1)</sup> New Construction IC Housing, Chicago Plenum	<b>STAN</b> ERP, 120/277V, Forward Phase, Reverse Phase, and 0-10V Dimming to 1%	<b>F</b> Fixture	<b>SH</b> Static White High Output (16W)	<b>0</b> No	<b>0</b> No	<b>V1</b> Version 1
	<b>S</b> Square	<b>NCPA</b> <sup>(1)</sup> New Construction Pan	<b>PEQO</b> Lutron Hi-lume Premier, 120/277V, EcoSystem Dimming to 0.1% with Soft-on and Fade-to-Black	<b>R*</b> Remote		<b>1</b> <sup>(4)</sup> Yes (Included)	<b>1</b> <sup>(4)</sup> Yes (Included)	
		<b>RMDL</b> <sup>(1)</sup> Remodel	<b>DPOE</b> <sup>(2, 3)</sup> Power Over Ethernet					

\*Only necessary if the driver will be physically remoted from the luminaire.

FINISHING SECTION ITEM NUMBER (Specify from left to right, filling in each box, e.g. 25FN2RBVSTSW3000NSCFSWV1HEX)										
25FN2			ST						V1	
Family	Aperture Shape	Trim Style	Regress	Trim Finish	CCT	Optic	Ceiling Application	Ceiling Application Finish	Version	Optical Accessories
25FN2 Intervals Recessed Finishing Section	<b>R</b> Round	<b>BV</b> Bevel	<b>ST</b> Standard	<b>SW</b> <sup>(6)</sup> Satin White	<b>2200</b> 2200K	<b>NS</b> 17° Narrow Spot	<b>CF</b> Flanged	<b>SW</b> <sup>(9)</sup> Satin White	<b>V1</b> Version 1	<b>HEX</b> Honeycomb Louver <i>(If second accessory is not specified, will include Clear Glass Lens)</i>
	<b>S</b> Square	<b>PH</b> Pinhole		<b>SK</b> Satin Black	<b>2700</b> 2700K	<b>MS</b> 24° Medium Spot	<b>MW</b> <sup>(8)</sup> Flangeless Millwork	<b>SK</b> Satin Black		
		<b>DC</b> <sup>(5)</sup> Decorative		<b>SA</b> Satin Aluminum	<b>3000</b> 3000K	<b>WS</b> 34° Wide Spot	<b>NA</b> <sup>(7, 8)</sup> Flangeless Mud-In	<b>SA</b> Satin Aluminum		
					<b>3500</b> 3500K	<b>FL</b> 67° Flood				
				<b>4000</b> 4000K						<b>LIN</b> <sup>(10)</sup> Linear Spread Lens
										<b>SOL</b> Microprism Lens
										<b>CLR</b> Clear Glass Lens

QUICK SHIP PROGRAM ORDERING INFORMATION

(see next page to order optics or ceiling applications separately)

QUICK SHIP ITEM NUMBER  
(Specify from left to right, filling in each box, e.g. IQ2R27V1)

IQ2			V1	QUICK SHIP COMPONENT BREAKDOWN	
Family	Aperture Shape	CCT	Version		
IQ2 Intervals Recessed Quick Ship	<b>R</b> Round	<b>27</b> 2700K	<b>V1</b> Version 1	Round Rough-in section order number: 25RN2RICCPSTANFSH00V1-FA <i>(IQ2R27V1, IQ2R30V1, IQ2R35V1)</i>	
	<b>S</b> Square	<b>30</b> 3000K		Round Finishing section order number: 25FN2RBVSTSW2700FLCFSWV1-FA <i>(IQ2R27V1)</i> 25FN2RBVSTSW3000FLCFSWV1-FA <i>(IQ2R30V1)</i> 25FN2RBVSTSW3500FLCFSWV1-FA <i>(IQ2R35V1)</i>	
		<b>35</b> 3500K		Square Rough-in section order number: 25RN2SICCPSTANFSH00V1-FA <i>(IQ2S27V1, IQ2S30V1, IQ2S35V1)</i>	
				Square Finishing section order number: 25FN2SBVSTSW2700FLCFSWV1-FA <i>(IQ2S27V1)</i> 25FN2SBVSTSW3000FLCFSWV1-FA <i>(IQ2S30V1)</i> 25FN2SBVSTSW3500FLCFSWV1-FA <i>(IQ2S35V1)</i>	

Preselected Quick Ship Options

- (1) Non-IC Rated for Driver Location F with Driver PEQO and Light Source/Power SH
- (2) Requires Driver Location R
- (3) Special order, contact factory; requires enclosure provided by others
- (4) Requires Mounting ICCP or NCPA
- (5) Requires Aperture Shape R; Requires use of a decorative accessory, ordered separately
- (6) Includes Satin Black interior for Trim Style PH
- (7) Requires Rough-In Section Mounting ICCP or NCPA Select Flangeless Mud-in: 1 in the rough-in section table, or order separately from the accessories table.
- (8) Requires Ceiling Application Finish SW
- (9) Field-Paintable



ACCESSORIES ORDERING INFORMATION

ACCESSORIES ITEM NUMBERS (e.g. 25ZCCH27)		
<b>25Z</b>		
<b>Family</b>	<b>Style</b>	<b>Size/Finish (if applicable)</b>
<b>25Z</b> Intervals Recessed Accessories	<p><b>BTF</b> Butterfly Bracket Set (set of 2)</p> <p><b>CCH</b> C-Channel (set of 2, requires butterfly brackets)</p> <p><b>LWP</b> 20' Luminaire Whip for remote driver</p> <p><b>ECY02</b> 2" Etched Glass Cylinder for Decorative Trim</p> <p><b>ERG02</b> 2" Etched Acrylic Ring for Decorative Trim</p> <p><b>ERB02</b> 2" Etched Ribbon Glass for Decorative Trim</p> <p><b>CRB02</b> 2" Clear Ribbon Glass for Decorative Trim</p> <p><b>RSG02</b> 2" Round Shower Gasket</p> <p><b>SSG02</b> 2" Square Shower Gasket</p> <p><b>RGP02</b> 2" Round Goof Plate</p> <p><b>SGP02</b> 2" Square Goof Plate</p> <p><b>HEX02</b> 2" Honeycomb Louver</p> <p><b>LIN02</b> 2" Linear Spread Lens</p> <p><b>SOL02</b> 2" Microprism Lens</p> <p><b>CLR02</b> 2" Clear Glass Lens</p> <p><b>IIS35HE</b> Iota 35W High Efficiency Inverter</p>	<p><b>27</b> 27" C-Channel Set</p> <p><b>52</b> 52" C-Channel Set</p> <p><b>SW</b> Satin White Goof Plate</p> <p><b>SK</b> Satin Black Goof Plate</p> <p><b>SA</b> Satin Aluminum Goof Plate</p>

ADDITIONAL OPTICS

OPTICS (e.g. 25O2NS)	
<b>25O2</b>	
<b>Family</b>	<b>Beam Angle</b>
<b>25O2</b> Intervals Recessed Optic	<p><b>NS</b> 17° Narrow Spot</p> <p><b>MS</b> 24° Medium Spot</p> <p><b>WS</b> 34° Wide Spot</p> <p><b>FL</b> 67° Flood</p>

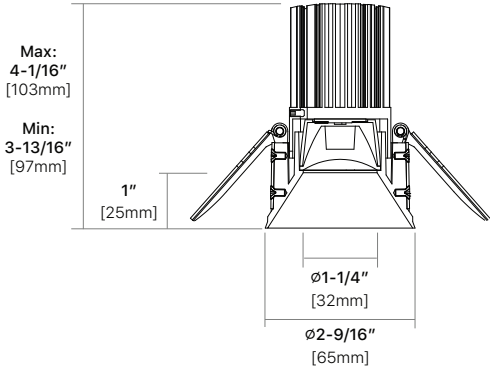
ADDITIONAL CEILING APPLICATIONS

CEILING APPLICATIONS (e.g. 25F2RFMSW)			
<b>25F2</b>			
<b>Family</b>	<b>Aperture Shape</b>	<b>Style</b>	<b>Finish</b>
<b>25F2</b> Intervals Recessed Ceiling Application	<p><b>R</b> Round</p> <p><b>S</b> Square</p>	<p><b>CF</b> Ceiling Flange</p> <p><b>FM</b> Flangeless Mud-In</p> <p><b>MW</b> Flangeless Millwork</p>	<p><b>SW</b> ○ Satin White</p> <p><b>SK</b> ● Satin Black (Ceiling Flange only)</p> <p><b>SA</b> ● Satin Aluminum (Ceiling Flange only)</p>

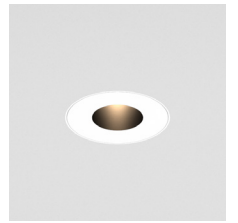
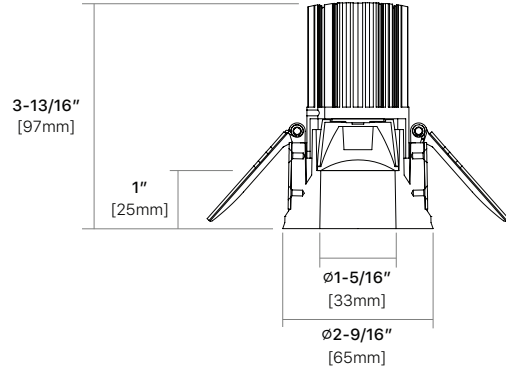


DIMENSIONS

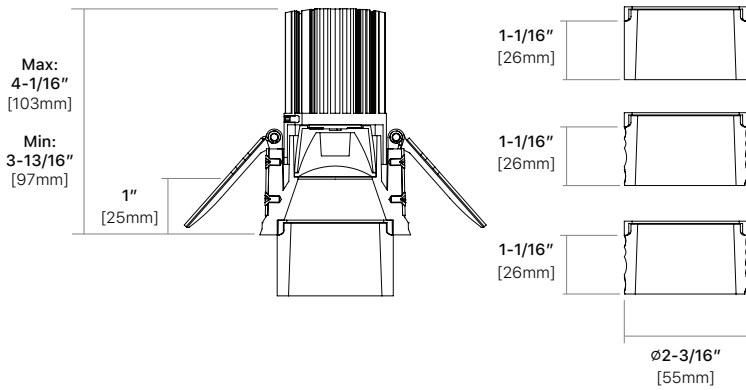
Round Bevel Trim



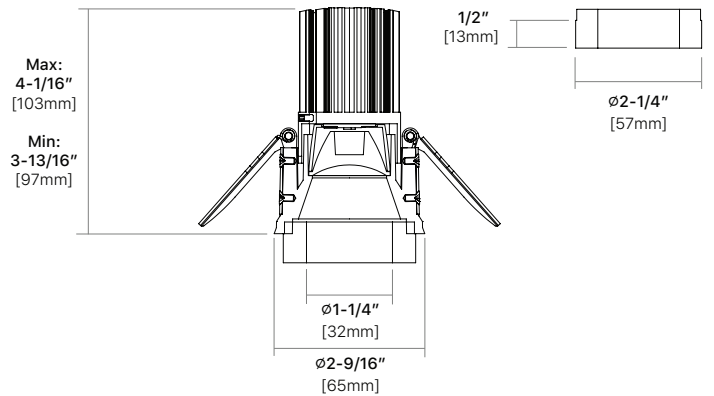
Round Pinhole Trim



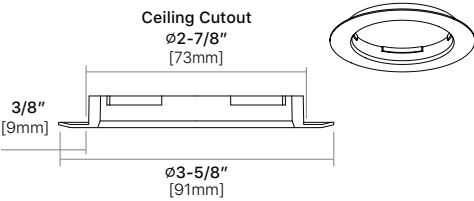
Round Decorative Trim with Etched Glass Cylinder/Etched Ribbon Glass/Clear Ribbon Glass



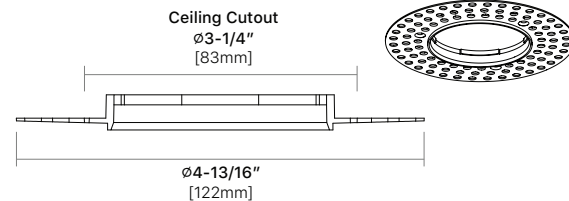
Round Decorative Trim with Etched Acrylic Ring



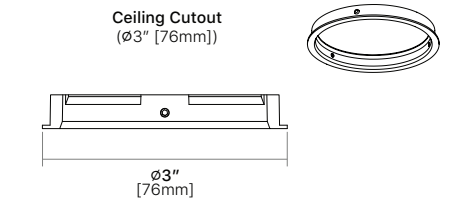
Round Ceiling Flange



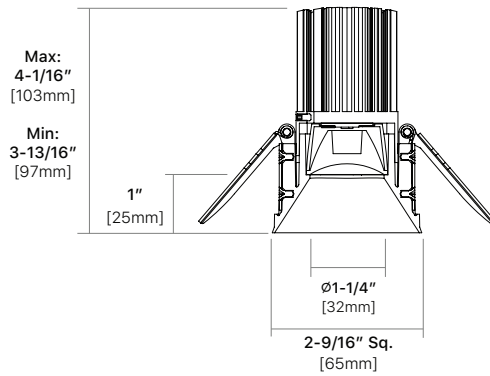
Round Flangeless Mud-in Plate



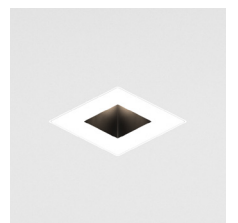
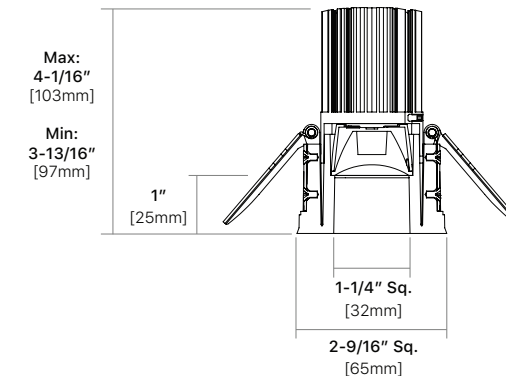
Round Flangeless Millwork Collar



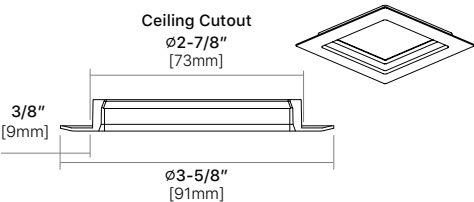
Square Bevel Trim



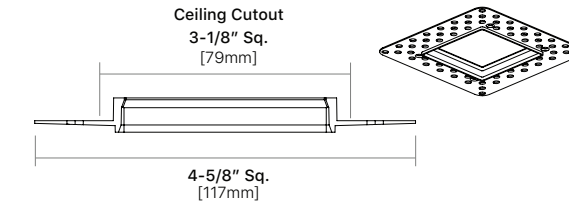
Square Pinhole Trim



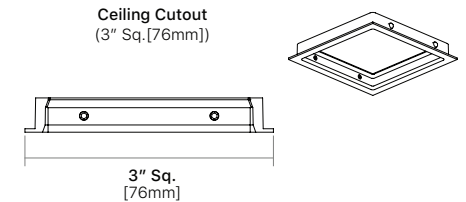
Square Ceiling Flange



Square Flangeless Mud-in Plate

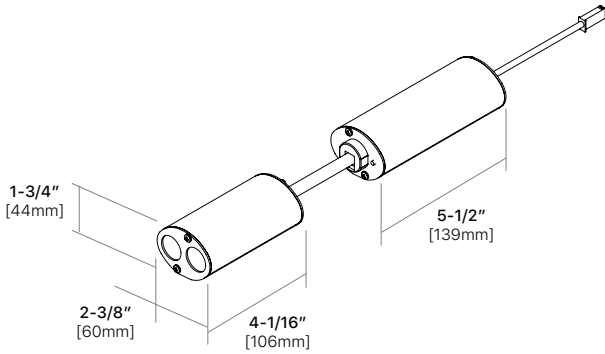


Square Flangeless Millwork Collar

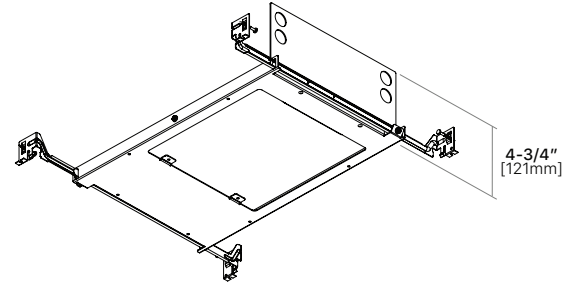




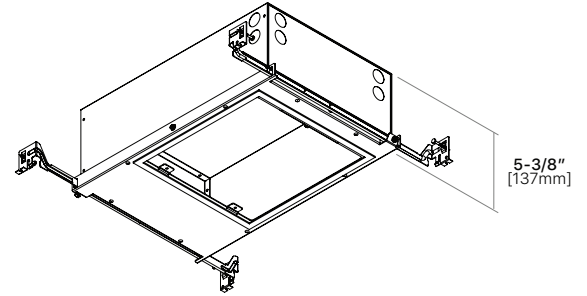
Driver Housing



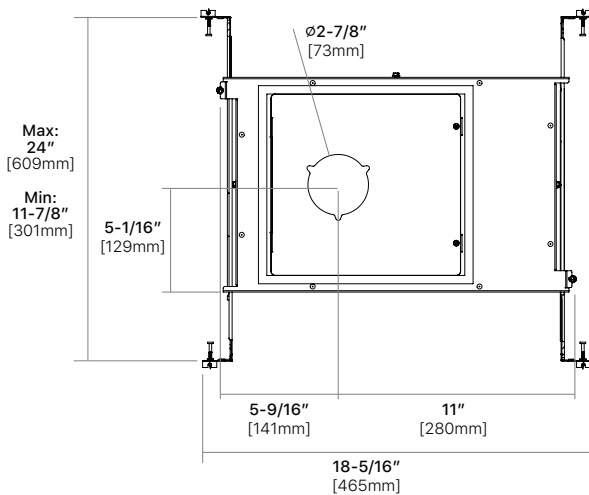
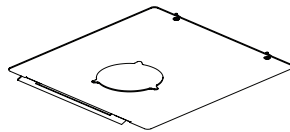
New Construction Pan



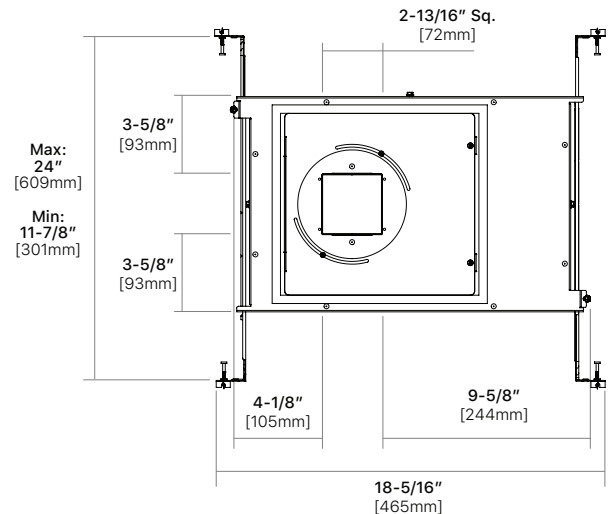
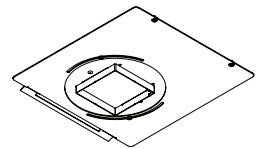
IC Housing



IC Housing with 2" Round Adapter Door

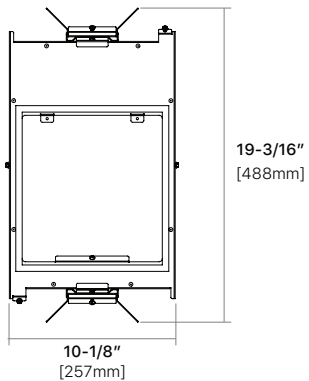


IC Housing with 2" Square Adapter Door

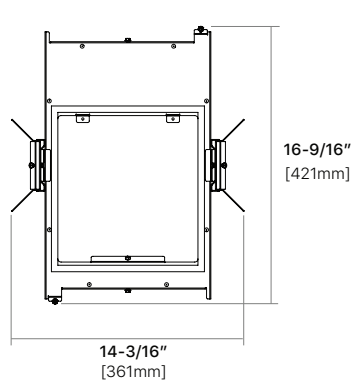


IC Housing with Adjustable Butterfly Brackets

Front and Back Application

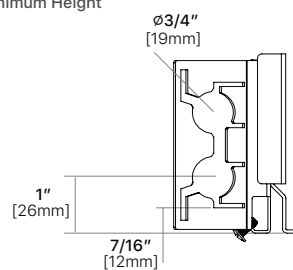


Side Application

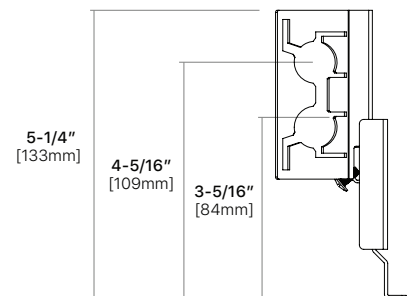


Adjustable Butterfly Brackets

Minimum Height



Maximum Height

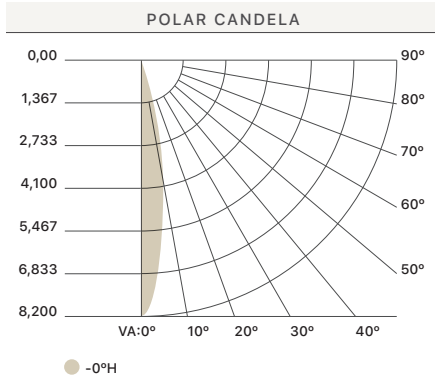




**INDOOR PHOTOMETRIC REPORT**

**2" RECESSED DOWNLIGHT  
NARROW SPOT 17°**

Description: 2 inch Round Bevel Trim 3000K Narrow Spot 17° | **Lamp Output:** 1 lamp, rated Lumens/lamp: 1075.9  
Input Wattage: 15.4122 | Max Cd: 8,136.8 at horizontal: 90°, Vertical: 1° | Spacing Criterion: @0 = 0.31/ @90 = 0.3 | High Output

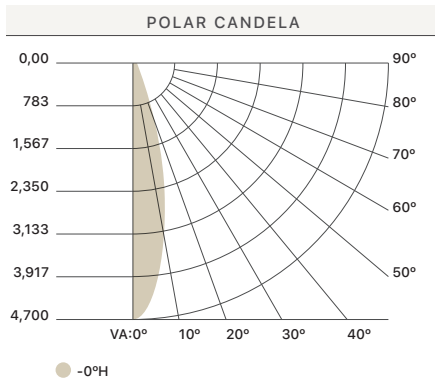


ILLUMINANCE AT A DISTANCE					
Height (ft)	Center Beam Footcandle	Beam Spread (ft)		Field Spread (ft)	
		Horizontal	Vertical	Horizontal	Vertical
8.00	125.33 fc	2.4	2.5	4.7	4.9
10.00	80.21 fc	3.0	3.1	5.9	6.2
12.00	55.70 fc	3.6	3.7	7.1	7.4
14.00	40.93 fc	4.2	4.3	8.2	8.6
16.00	31.33 fc	4.8	4.9	9.4	9.9
		Beam Angle		Field Angle	
		17.1°	17.6°	32.8°	34.3°

CANDELA TABLE - TYPE C									
	0	45	90	135	180	225	270	315	360
0	8 021	8 021	8 021	8 021	8 021	8 021	8 021	8 021	8 021
5	6 525	7 153	7 258	6 815	6 149	5 556	5 449	5 885	6 525
15	1 258	1 569	1 458	1 298	1 154	9 49	8 44	9 75	1 258
25	240	258	238	245	246	225	202	218	240
35	85	88	86	85	82	78	78	80	85
45	34	36	35	33	30	28	30	32	34
55	13	14	14	11	11	10	10	12	13
65	5	6	5	5	4	4	4	5	5
75	2	3	2	2	2	2	2	2	2
85	1	1	1	1	0	0	0	0	1
90	0	0	0	0	0	0	0	0	0

**2" RECESSED DOWNLIGHT  
MEDIUM SPOT 24°**

Description: 2 inch Round Bevel Trim 3000K Medium Spot 24° | **Lamp Output:** 1 lamp, rated Lumens/lamp: 1039.4  
Input Wattage: 15.4199 Max Cd: 4,646.0 at horizontal: 90°, Vertical: 1° | Spacing Criterion: @0 = 0.41/ @90 = 0.41 | High Output

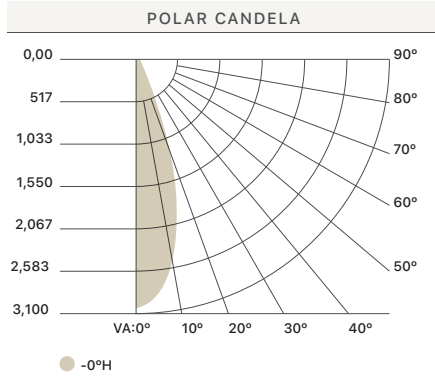


ILLUMINANCE AT A DISTANCE					
Height (ft)	Center Beam Footcandle	Beam Spread (ft)		Field Spread (ft)	
		Horizontal	Vertical	Horizontal	Vertical
8.00	72.48 fc	3.4	3.4	6.4	6.4
10.00	46.38 fc	4.3	4.3	8.0	8.0
12.00	32.21 fc	5.1	5.1	9.6	9.7
14.00	23.67 fc	6.0	6.0	11.2	11.3
16.00	18.12 fc	6.8	6.8	12.8	12.9
		Beam Angle		Field Angle	
		24.1°	24.0°	43.5°	43.8°

CANDELA TABLE - TYPE C									
	0	45	90	135	180	225	270	315	360
0	4638	4638	4638	4638	4638	4638	4638	4638	4638
5	4095	4211	4220	4137	4089	3995	4047	4070	4095
15	1583	1695	1618	1520	1488	1394	1442	1512	1583
25	286	288	285	293	302	285	281	270	286
35	98	108	111	115	113	110	108	104	98
45	31	33	35	34	33	30	31	30	31
55	15	16	17	17	16	15	15	15	15
65	6	6	6	6	6	5	5	5	6
75	3	3	3	3	2	2	2	2	3
85	1	1	1	1	1	1	1	0	1
90	0	0	0	0	0	0	0	0	0

**2" RECESSED DOWNLIGHT  
WIDE SPOT 34°**

Description: 2 inch Round Bevel Trim 3000K Wide Spot 34° | **Lamp Output:** 1 lamp, rated Lumens/lamp: 1071.3  
Input Wattage: 15.4134 | Max Cd: 3,054.9 at horizontal: 180°, Vertical: 2° | Spacing Criterion: @0 = 0.55/ @90 = 0.57 | High Output

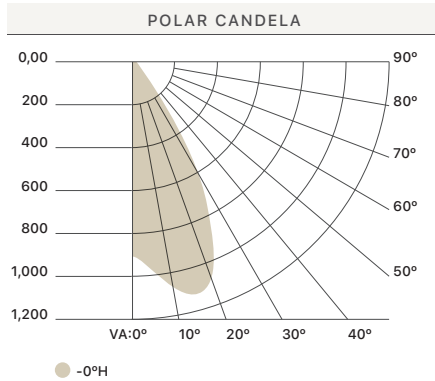


ILLUMINANCE AT A DISTANCE					
Height (ft)	Center Beam Footcandle	Beam Spread (ft)		Field Spread (ft)	
		Horizontal	Vertical	Horizontal	Vertical
8.00	47.60 fc	4.9	4.9	7.9	8.1
10.00	30.46 fc	6.1	6.1	9.9	10.1
12.00	21.15 fc	7.3	7.3	11.9	12.1
14.00	15.54 fc	8.6	8.5	13.9	14.1
16.00	11.90 fc	9.8	9.7	15.9	16.1
		Beam Angle		Field Angle	
		34.0°	33.9°	52.8°	53.5°

CANDELA TABLE - TYPE C									
	0	45	90	135	180	225	270	315	360
0	3046	3046	3046	3046	3046	3046	3046	3046	3046
5	2874	2900	2952	2984	2993	2968	2938	2899	2874
15	1780	1898	2029	2030	1943	1772	1719	1754	1780
25	416	505	552	485	420	326	302	343	416
35	77	90	94	89	84	72	68	70	77
45	29	33	36	36	32	31	28	29	29
55	10	12	13	13	12	10	9	10	10
65	4	4	5	5	4	4	4	4	4
75	2	2	2	2	2	2	2	2	2
85	0	0	1	1	0	0	0	0	0
90	0	0	0	0	0	0	0	0	0

**2" RECESSED DOWNLIGHT  
FLOOD 67°**

Description: 2 inch Round Bevel Trim 3000K Flood 67° | **Lamp Output:** 1 lamp, rated Lumens/lamp: 1071.6  
Input Wattage: 15.5225 | Max Cd: 1,140.4 at horizontal: 315°, Vertical: 16° | Spacing Criterion: @0 = 1.12/ @90 = 1.12 | High Output



ILLUMINANCE AT A DISTANCE					
Height (ft)	Center Beam Footcandle	Beam Spread (ft)		Field Spread (ft)	
		Horizontal	Vertical	Horizontal	Vertical
8.00	14.09 fc	8.9	9.4	13.6	14.1
10.00	9.02 fc	11.1	11.7	17.0	17.6
12.00	6.26 fc	13.3	14.0	20.4	21.1
14.00	4.60 fc	15.5	16.4	23.8	24.6
16.00	3.52 fc	17.7	18.7	27.2	28.1
		Beam Angle		Field Angle	
		57.9°	60.7°	80.7°	82.6°

CANDELA TABLE - TYPE C									
	0	45	90	135	180	225	270	315	360
0	902	902	902	902	902	902	902	902	902
5	959	946	938	922	906	908	939	956	959
15	1111	1015	979	957	967	994	1093	1136	1111
25	886	799	762	782	829	869	955	944	886
35	352	322	312	332	393	425	444	412	352
45	56	49	47	51	63	65	69	71	56
55	13	12	11	12	13	13	14	15	13
65	4	4	4	4	4	4	4	4	4
75	2	2	2	2	2	2	2	2	2
85	1	0	0	0	0	0	0	0	1
90	0	0	0	0	0	0	0	0	0