



NOTES



Fixture Type:

Project:

Location:

Model Numbers:

DESCRIPTION

- Intervals Recessed 2" Downlights offer specification-grade performance and features, in a completely modular and field-configurable system;
- Every light engine integrates with any of the trims, and every trim works with all of the ceiling application and housing options.

DELIVERED LUMENS Up to 920Lm

WATTS ~ 13W

OPTICS Field-Changeable 23° / 29° / 38° / 62°

TRIM OPTIONS

- Round Bevel
- Round Pinhole
- Round Decorative
- Square Bevel
- Square Pinhole

COLOR TEMPERATURE



LIGHT ENGINE

- Up to 920 delivered lumens, 13W, field-replaceable;
- Cold forged aluminum with anodized champagne finish provides a lightweight heat sink with excellent thermal performance in a compact size;
- LTF chip-on-board LED with warm dimming from 3000K to 1800K, min. 95 CRI, and 3-Step color binning.

DRIVER

- Standard driver is field-replaceable and accessible from below the ceiling;
- 120/277VAC input;
- 1% dimming with forward/reverse phase (at 120VAC) and 0-10V dimming controls;
- Multiple drivers with additional dimming protocols available.

OPTICS

- Field-changeable TIR optics with a smooth beam, no softening lens required;
- Available in narrow spot (23°), medium spot (29°), wide spot (38°), and flood (62°) distributions;
- Up to 2 optical accessories can be used without any extra holder, to further refine lighting effects. Available optical accessories include honeycomb louver, micropism lens, linear spread lens, and clear glass lens.

TRIMS

- Die cast aluminum construction for strength and durability;
- Patent pending spring-loaded connection to the light engine keeps the optic tight against the trim opening, providing a highly efficient and an inherently airtight fixture;
- Electro-coated steel spring wings allow for tool-free installation and servicing in ceiling thicknesses from 0.5"-1.5";
- Delivered lumens are maintained through the full range of ceiling thicknesses;
- Round decorative trim features interchangeable glass and acrylic accessories that extend decorative lighting below the ceiling and extend and coordinate with the Intervals Suspended Beam Linear System;
- Available in powder coated satin white and satin black, and painted satin aluminum finishes.

CEILING APPLICATIONS

- Available in flanged, flangeless mud-in, and flangeless millwork, all in die cast aluminum;
- Flanged ceiling application features a tapered Feather Edge profile for a minimal appearance and provides a universal solution for all ceiling types. Available in trim-coordinating finishes of satin black, satin aluminum, and field-paintable satin white;
- Flangeless mud-in ceiling application securely attaches to the housing, providing a flush and seamless appearance in gypsum and plaster ceilings with no warping or cracking. Available in field-paintable satin white finish;
- Flangeless millwork ceiling application provides a flangeless appearance in wood or stone ceilings. Available in field-paintable satin white finish.

HOUSINGS/INSTALLATION

- Patent pending two-part junction box and driver housing is included for remodel and new construction installations and allows for easy servicing and inspection from below the ceiling;
- Junction box has two ½" trade size knockouts and is rated for through-wiring of 12AWG conductors;
- New Construction Pan and IC Housing feature a patent pending field-changeable adapter door, allowing the same pan or housing to be converted to a different size (2", 3", or 4") or shape (round or square) in the field, up until the ceiling is installed;
- Square adapter doors feature a reject collar that is adjustable 90 degrees and has gunsight notches for precise alignment;
- New Construction Pan and IC Housing include adjustable hanger bars for installation to wood joists or T-grid suspended ceilings;
- Adjustable height butterfly brackets are available for mounting with the available C-channel, the included adjustable hanger bars, EMT, or furring strip.

RATINGS/CERTIFICATIONS

- ETL listed to US and Canadian standards (UL1598);
- Wet location rated. Optional shower gasket available for use with flanged ceiling application. Millwork ceiling application requires caulking for wet location rating, otherwise damp location rated
- Meets CA Title 24 Part 6 JA8 High Efficacy LED and Chicago plenum requirements when used with standard driver and IC housing;
- 5 year limited warranty (see website for terms).
- Emergency Use: 35W High Efficiency Invertor with integrated battery backup and test switch available.

AVAILABLE TRIM FINISHES



CEILING APPLICATIONS





HOW TO ORDER

Made-To-Order with full configurability. For Made-To-Order, build your item numbers for the rough-in section (includes housing and driver) and the finishing section (includes LED light engine and trim), plus any accessories ordered separately.

MADE-TO-ORDER PROGRAM ORDERING INFORMATION

ROUGH-IN SECTION ITEM NUMBER (Specify from left to right, filling in each box, e.g. 25RN2RICCPSTANFWD00V1)									
25RN2					WD				V1
Family	Aperture Shape	Mounting	Driver	Driver Location	Light Source/Power	Butterfly Brackets	Flangeless Mud-In	Version	
25RN2 Intervals Recessed Rough-In Section	R Round S Square	ICCP New Construction IC Housing, Chicago Plenum NCPA (1) New Construction Pan RMDL (1) Remodel	STAN ERP, 120/277V, Forward Phase, Reverse Phase, and 0-10V Dimming to 1% PEQ0 Lutron Hi-lume Premier, 120/277V, EcoSystem Dimming to 0.1% with Soft-on and Fade-to-Black PEQ1 Lutron Hi-lume, 120/277V, EcoSystem Dimming to 1% with Soft-on and Fade-to-Black LTEA (2) Lutron Hi-lume, 120V, Forward Phase Dimming to 1% EDLO (2, 3) eldoLED, 120/277V, DALI Dimming to 0.1% EDL1 (2, 3) eldoLED, 120/277V, DALI Dimming to 1% EDL1 (2, 3) eldoLED, 120/277V, DALI Dimming to 1% DPOE (2, 3) Power Over Ethernet	F Fixture R* Remote	WD Warm Dimming (13W)	0 No 1 (4) Yes (Included)	0 No 1 (4) Yes (Included)	V1 Version 1	

*Only necessary if the driver will be physically remoted from the luminaire.

FINISHING SECTION ITEM NUMBER (Specify from left to right, filling in each box, e.g. 25FN2RBVSTSW3000NCSFSWV1HEX)										
25FN2			ST		3018				V1	
Family	Aperture Shape	Trim Style	Regress	Trim Finish	CCT	Optic	Ceiling Application	Ceiling Application Finish	Version	Optical Accessories
25FN2 Intervals Recessed Finishing Section	R Round S Square	BV Bevel PH Pinhole DC (5) Decorative	ST Standard	SW (6) ○ Satin White SK ● Satin Black SA ● Satin Aluminum	3018 3000K - 1800k	NS 23° Narrow Spot MS 29° Medium Spot WS 38° Wide Spot FL 62° Flood	CF Flanged MW (8) Flangeless Millwork NA (7, 8) Flangeless Mud-In	SW (9) ○ Satin White SK ● Satin Black SA ● Satin Aluminum	V1 Version 1	HEX Honeycomb Louver <i>(If second accessory is not specified, will include Clear Glass Lens)</i> LIN (10) Linear Spread Lens SOL Microprism Lens CLR Clear Glass Lens

(1) Non-IC Rated for Driver Location F
(2) Requires Driver Location R
(3) Special order, contact factory; requires enclosure provided by others
(4) Requires Mounting ICCP or NCPA
(5) Requires Aperture Shape R; Requires use of a decorative accessory, ordered separately
(6) Includes Satin Black interior for Trim Style PH
(7) Requires Rough-In Section Mounting ICCP or NCPA
Select Flangeless Mud-In: 1 in the rough-in section table, or order separately from the accessories table.
(8) Requires Ceiling Application Finish SW
(9) Field-Paintable
(10) Not recommended for Optic FL



ACCESSORIES ORDERING INFORMATION

ACCESSORIES ITEM NUMBERS (e.g. 25ZCCH27)		
25Z		
Family	Style	Size/Finish (if applicable)
25Z Intervals Recessed Accessories	<p>BTF Butterfly Bracket Set (set of 2)</p> <p>CCH C-Channel (set of 2, requires butterfly brackets)</p> <p>LWP 20' Luminaire Whip for remote driver</p> <p>ECY02 2" Etched Glass Cylinder for Decorative Trim</p> <p>ERG02 2" Etched Acrylic Ring for Decorative Trim</p> <p>ERB02 2" Etched Ribbon Glass for Decorative Trim</p> <p>CRB02 2" Clear Ribbon Glass for Decorative Trim</p> <p>RSG02 2" Round Shower Gasket</p> <p>SSG02 2" Square Shower Gasket</p> <p>RGP02 2" Round Goof Plate</p> <p>SGP02 2" Square Goof Plate</p> <p>HEX02 2" Honeycomb Louver</p> <p>LIN02 2" Linear Spread Lens</p> <p>SOL02 2" Microprism Lens</p> <p>CLR02 2" Clear Glass Lens</p> <p>IIS35HE Iota 35W High Efficiency Inverter</p>	<p>27 27" C-Channel Set</p> <p>52 52" C-Channel Set</p> <p>SW Satin White Goof Plate</p> <p>SK Satin Black Goof Plate</p> <p>SA Satin Aluminum Goof Plate</p>

ADDITIONAL OPTICS

OPTICS (e.g. 25O2NS)	
25O2	
Family	Beam Angle
25O2 Intervals Recessed Optic	<p>NS 23° Narrow Spot</p> <p>MS 29° Medium Spot</p> <p>WS 38° Wide Spot</p> <p>FL 62° Flood</p>

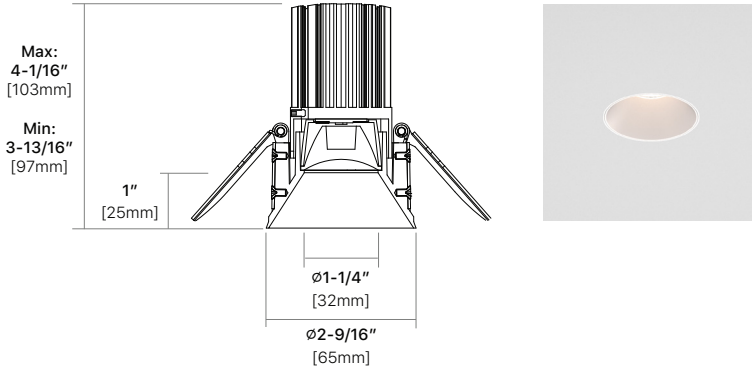
ADDITIONAL CEILING APPLICATIONS

CEILING APPLICATIONS (e.g. 25F2RFMSW)			
25F2			
Family	Aperture Shape	Style	Finish
25F2 Intervals Recessed Ceiling Application	<p>R Round</p> <p>S Square</p>	<p>CF Ceiling Flange</p> <p>FM Flangeless Mud-In</p> <p>MW Flangeless Millwork</p>	<p>SW ○ Satin White</p> <p>SK ● Satin Black (Ceiling Flange only)</p> <p>SA ● Satin Aluminum (Ceiling Flange only)</p>

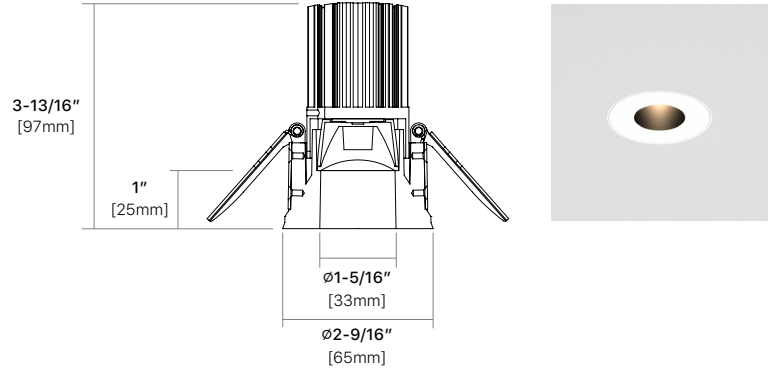


DIMENSIONS

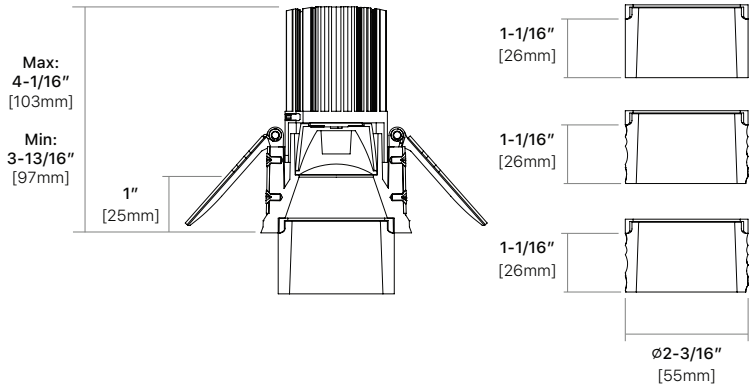
Round Bevel Trim



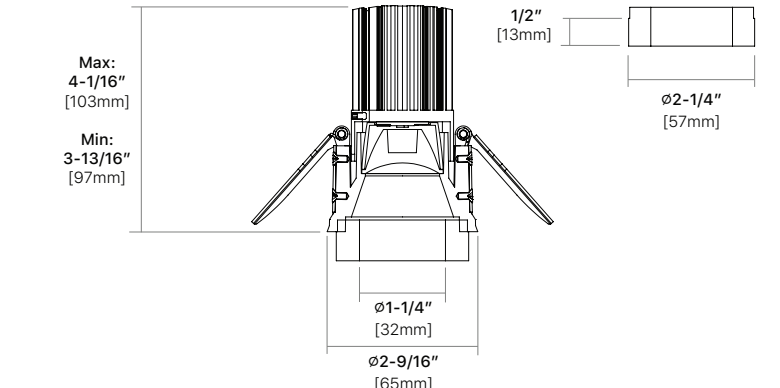
Round Pinhole Trim



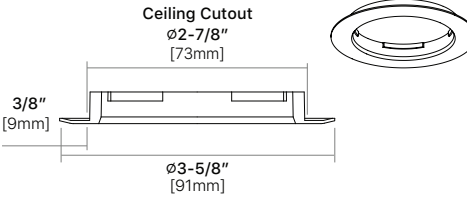
Round Decorative Trim with Etched Glass Cylinder/Etched Ribbon Glass/Clear Ribbon Glass



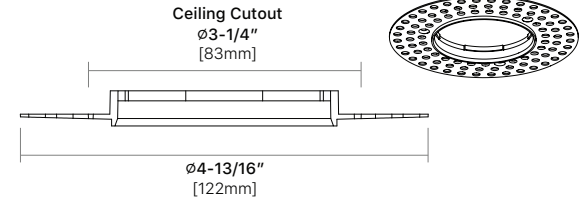
Round Decorative Trim with Etched Acrylic Ring



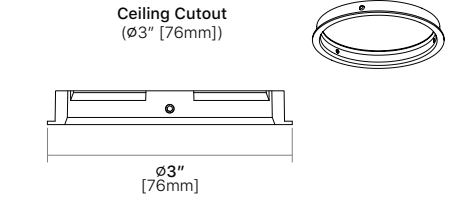
Round Ceiling Flange



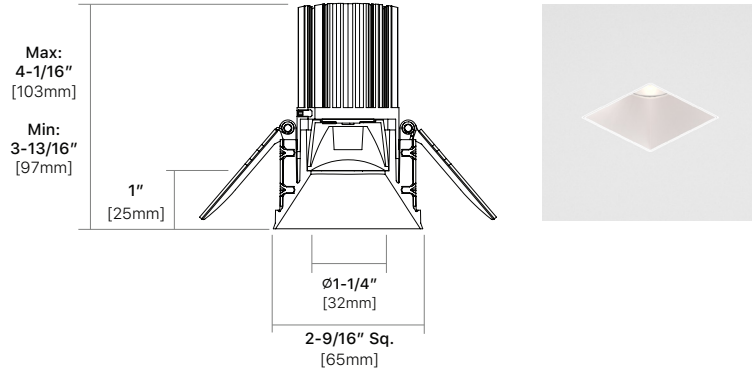
Round Flangeless Mud-in Plate



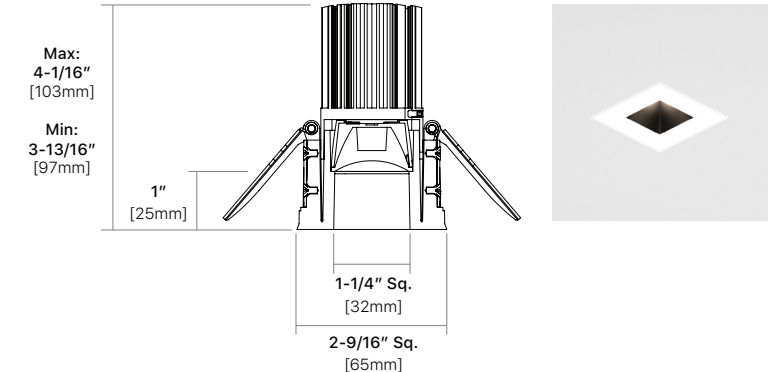
Round Flangeless Millwork Collar



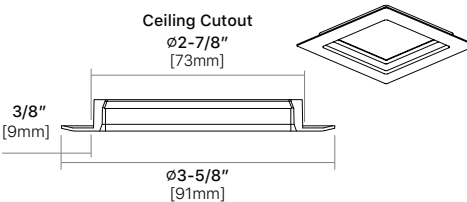
Square Bevel Trim



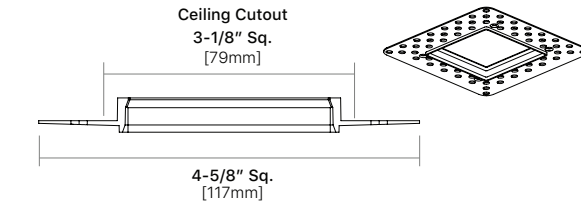
Square Pinhole Trim



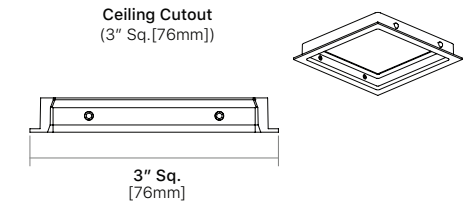
Square Ceiling Flange



Square Flangeless Mud-in Plate

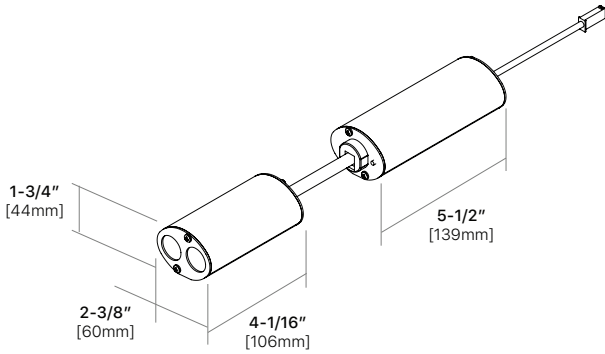


Square Flangeless Millwork Collar

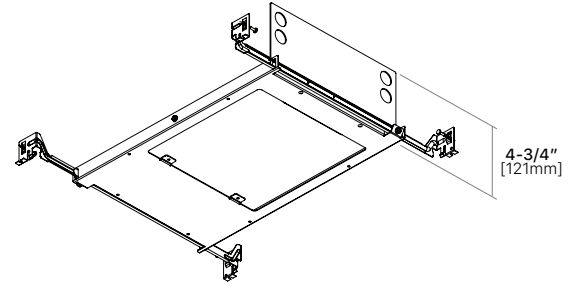




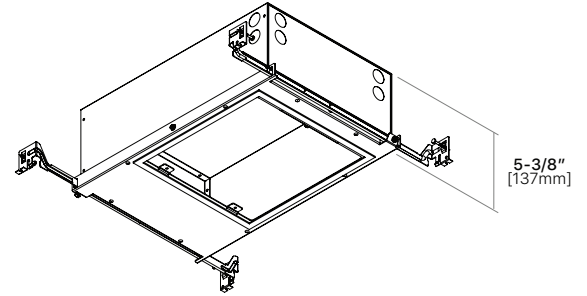
Driver Housing



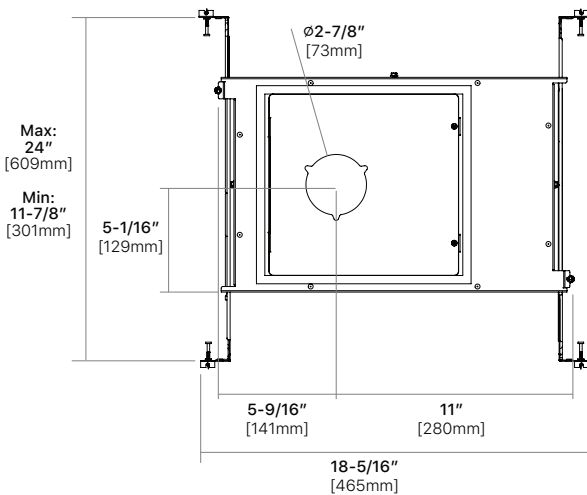
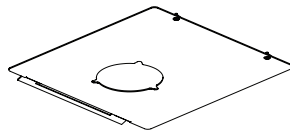
New Construction Pan



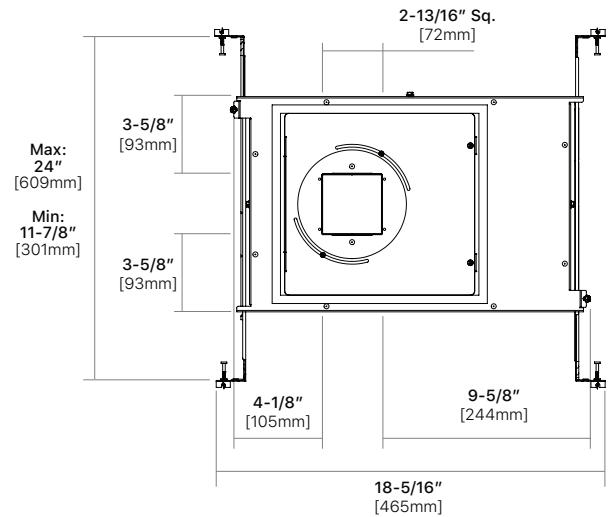
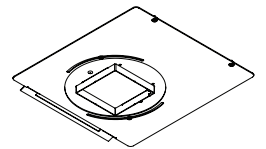
IC Housing



IC Housing with 2" Round Adapter Door



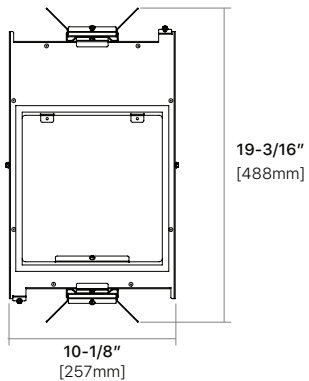
IC Housing with 2" Square Adapter Door



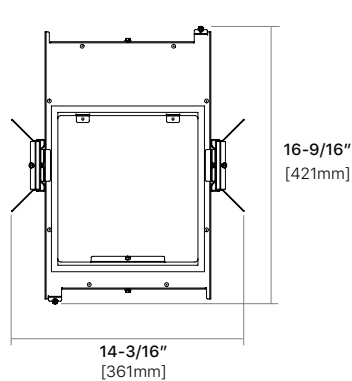
IC Housing with Adjustable Butterfly Brackets

Adjustable Butterfly Brackets

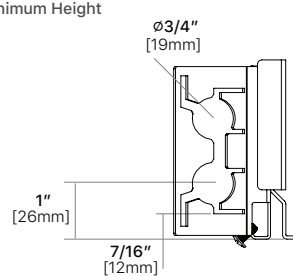
Front and Back Application



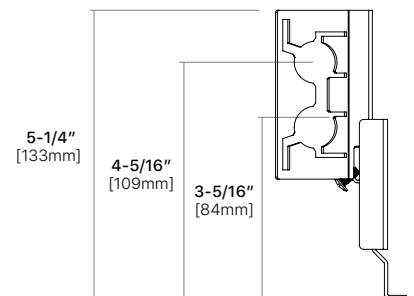
Side Application



Minimum Height



Maximum Height

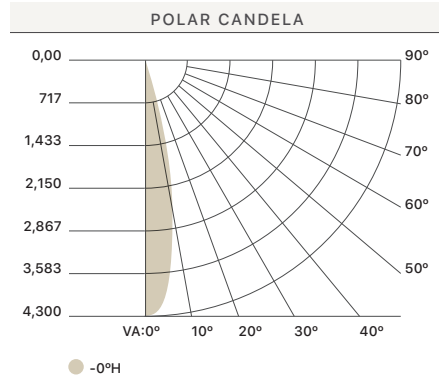




INDOOR PHOTOMETRIC REPORT

2" RECESSED DOWNLIGHT
NARROW SPOT 23°

Description: 2 inch Round Bevel Trim Warm Dimming Narrow Spot 23° | Lamp Output: 1 lamp, rated Lumens/lamp: 921.3
Input Wattage: 13.3423 | Max Cd: 4,286.5 at horizontal: 315°, Vertical: 1° | Spacing Criterion: @0 = 0.41/ @90 = 0.4 | High Output

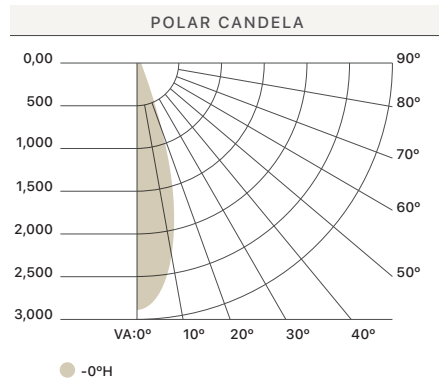


Height (ft)	Center Beam Footcandle	Beam Spread (ft)		Field Spread (ft)	
		Horizontal	Vertical	Horizontal	Vertical
8.00	66.79 fc	3.3	3.3	6.6	6.4
10.00	42.75 fc	4.2	4.1	8.3	8.1
12.00	29.69 fc	5.0	4.9	9.9	9.7
14.00	21.81 fc	5.9	5.8	11.6	11.3
16.00	16.70 fc	6.7	6.6	13.2	12.9
		Beam Angle		Field Angle	
		23.6°	23.3°	44.9°	43.9°

	CANDELA TABLE - TYPE C								
	0	45	90	135	180	225	270	315	360
0	4275	4275	4275	4275	4275	4275	4275	4275	4275
5	3933	3876	3804	3761	3809	3848	3911	3981	3933
15	1300	1273	1223	1147	1218	1329	1408	1410	1300
25	266	266	272	270	280	310	322	296	266
35	68	71	75	74	76	86	89	78	68
45	23	22	23	26	26	27	28	27	23
55	9	9	9	9	10	10	10	9	9
65	4	3	4	4	4	4	4	4	4
75	2	2	2	2	2	2	2	2	2
85	0	0	0	0	0	1	1	0	0
90	0	0	0	0	0	0	0	0	0

2" RECESSED DOWNLIGHT
MEDIUM SPOT 29°

Description: 2 inch Round Bevel Trim Warm Dimming Medium Spot 29° | Lamp Output: 1 lamp, rated Lumens/lamp: 889.6
Input Wattage: 13.2893 | Max Cd: 2,909.7 at horizontal: 0°, Vertical: 0° | Spacing Criterion: @0 = 0.48/ @90 = 0.49 | High Output

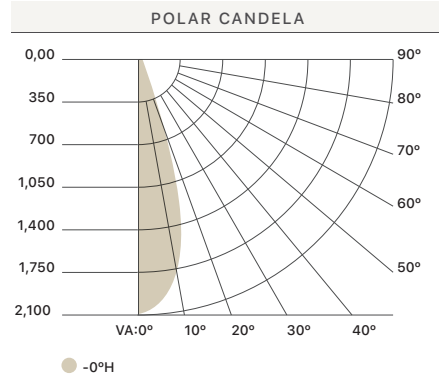


Height (ft)	Center Beam Footcandle	Beam Spread (ft)		Field Spread (ft)	
		Horizontal	Vertical	Horizontal	Vertical
1.00	2,909.65 LUX	0.5	0.5	1.0	1.0
2.00	727.41 LUX	1.0	1.0	1.9	2.0
3.00	323.29 LUX	1.5	1.6	2.9	3.0
4.00	181.85 LUX	2.1	2.1	3.9	4.0
		Beam Angle		Field Angle	
		29.0°	29.3°	51.7°	52.6°

	CANDELA TABLE - TYPE C								
	0	45	90	135	180	225	270	315	360
0	2910	2910	2910	2910	2910	2910	2910	2910	2910
5	2677	2694	2699	2695	2701	2694	2682	2687	2677
15	1355	1377	1380	1400	1441	1419	1366	1375	1355
25	334	326	321	333	348	335	320	337	334
35	103	104	102	106	102	102	102	114	103
45	24	24	26	26	26	25	26	26	24
55	13	13	13	13	13	13	13	13	13
65	5	5	5	5	5	5	5	5	5
75	2	2	2	2	2	2	2	2	3
85	1	0	0	1	0	1	1	0	1
90	0	0	0	0	0	0	0	0	0

2" RECESSED DOWNLIGHT
WIDE SPOT 38°

Description: 2 inch Round Bevel Trim Warm Dimming Wide Spot 38° | Lamp Output: 1 lamp, rated Lumens/lamp: 911.7
Input Wattage: 13.2799 | Max Cd: 2,085.8 at horizontal: 135°, Vertical: 1° | Spacing Criterion: @0 = 0.62/ @90 = 0.63 | High Output

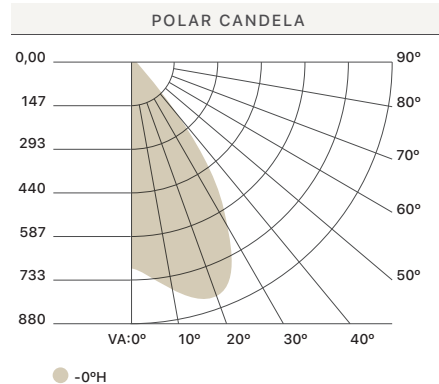


Height (ft)	Center Beam Footcandle	Beam Spread (ft)		Field Spread (ft)	
		Horizontal	Vertical	Horizontal	Vertical
8.00	32.50 fc	5.5	5.6	9.3	9.5
10.00	20.80 fc	6.9	6.9	11.7	11.9
12.00	14.44 fc	8.2	8.3	14.0	14.2
14.00	10.61 fc	9.6	9.7	16.3	16.6
16.00	8.12 fc	11.0	11.1	18.7	19.0
		Beam Angle		Field Angle	
		37.8°	38.3°	60.5°	61.3

	CANDELA TABLE - TYPE C								
	0	45	90	135	180	225	270	315	360
0	2080	2080	2080	2080	2080	2080	2080	2080	2080
5	1995	2014	2026	2025	2019	2000	1982	1988	1995
15	1406	1421	1451	1464	1463	1417	1379	1401	1406
25	487	490	500	510	525	500	466	485	487
35	106	109	106	109	109	104	99	107	106
45	28	28	28	28	28	26	27	28	28
55	10	10	10	10	10	10	10	10	10
65	4	4	4	4	4	4	4	4	4
75	2	2	2	2	2	2	2	2	2
85	0	0	0	0	0	0	0	0	0
90	0	0	0	0	0	0	0	0	0

2" RECESSED DOWNLIGHT
FLOOD 62°

Description: 2 inch Round Bevel Trim Warm Dimming Flood 62° | Lamp Output: 1 lamp, rated Lumens/lamp: 919.5
Input Wattage: 13.2755 | Max Cd: 876.2 at horizontal: 135°, Vertical: 18° | Spacing Criterion: @0 = 1.17/ @90 = 1.19 | High Output



Height (ft)	Center Beam Footcandle	Beam Spread (ft)		Field Spread (ft)	
		Horizontal	Vertical	Horizontal	Vertical
8.00	10.73 fc	9.7	9.6	14.4	14.4
10.00	6.97 fc	12.1	12.0	18.0	18.1
12.00	4.77 fc	14.5	14.4	21.7	21.7
14.00	3.50 fc	17.0	16.8	25.3	25.3
16.00	2.68 fc	19.4	19.2	28.9	28.9
		Beam Angle		Field Angle	
		62.4°	60.7°	84.1°	84.1°

	CANDELA TABLE - TYPE C								
	0	45	90	135	180	225	270	315	360
0	687	687	687	687	687	687	687	687	687
5	687	692	707	720	718	716	711	700	687
15	739	754	802	859	825	822	815	816	739
25	668	663	718	778	754	741	738	746	668
35	345	349	356	371	377	380	359	359	345
45	58	56	60	67	68	64	60	62	58
55	10	10	11	12	13	12	11	11	10
65	4	3	4	4	4	4	4	4	4
75	2	2	2	2	2	2	2	2	2
85	0	0	0	1	0	1	1	0	0
90	0	0	0	0	0	0	0	0	0