



NOTES



Fixture Type:

Project:

Location:

Model Numbers:

DESCRIPTION

- Intervals Recessed 4" Downlights offer specification-grade performance and features, in a completely modular and field-configurable system;
- Every light engine integrates with any of the trims, and every trim works with all of the ceiling application and housing options.

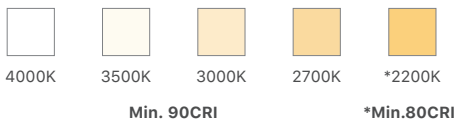
DELIVERED LUMENS High Output: Up to 2,490Lm
Low Output: Up to 1,925Lm

WATTS High Output: ~29W
Low Output: ~21W

OPTICS Field-Changeable 19° / 24° / 39° / 60°

TRIM OPTIONS Round Bevel
Round Pinhole
Square Bevel
Square Pinhole

COLOR TEMPERATURE



AVAILABLE TRIM FINISHES



CEILING APPLICATIONS



LIGHT ENGINE

- Up to 2,490 delivered lumens, 29W (high output) or up to 1,925 delivered lumens, 21W (low output), field-replaceable
- Cold forged aluminum with anodized champagne finish provides a lightweight heat sink with excellent thermal performance in a compact size;
- Cree chip-on-board LED, available in 4000K, 3500K, 3000K, 2700K, and 2200K, with min. 90CRI and 2-Step EasyWhite color binning (min. 80CRI and 3-Step for 2200K);
- Same delivered lumens for every color temperature for easy specifying, no multipliers needed.

DRIVER

- Standard driver is field-replaceable and accessible from below the ceiling;
- 120/277VAC input;
- 1% dimming with forward/reverse phase (at 120VAC) and 0-10V dimming controls;
- Multiple drivers with additional dimming protocols available.

OPTICS

- Field-changeable TIR optics with a smooth beam, no softening lens required;
- Available in narrow spot (19°), medium spot (24°), wide spot (39°), and flood (60°) distributions;
- Up to 2 optical accessories can be used without any extra holder, to further refine lighting effects. Available optical accessories include honeycomb louver microprism lens, linear spread lens, and clear glass lens.

TRIMS

- Die cast aluminum construction for strength and durability;
- Patent pending spring-loaded connection to the light engine keeps the optic tight against the trim opening, providing a highly efficient and an inherently airtight fixture;
- Electro-coated steel spring wings allow for tool-free installation and servicing in ceiling thicknesses from 0.5"-1.5";
- Delivered lumens are maintained through the full range of ceiling thicknesses;
- Available in powder coated satin white and satin black, and painted satin aluminum finishes.

CEILING APPLICATIONS

- Available in flanged, flangeless mud-in, and flangeless millwork, all in die cast aluminum;
- Flanged ceiling application features a tapered Feather Edge profile for a minimal appearance and provides a universal solution for all ceiling types. Available in trim-coordinating finishes of satin black, satin aluminum, and field-paintable satin white;
- Flangeless mud-in ceiling application securely attaches to the housing, providing a flush and seamless appearance in gypsum and plaster ceilings with no warping or cracking. Available in field-paintable satin white finish;
- Flangeless millwork ceiling application provides a flangeless appearance in wood or stone ceilings. Available in field-paintable satin white finish.

HOUSINGS/INSTALLATION

- Patent pending two-part junction box and driver housing is included for remodel and new construction installations and allows for easy servicing and inspection from below the ceiling;
- Junction box has two 1/2" trade size knockouts and is rated for through-wiring of 12AWG conductors;
- New Construction Pan and IC Housing feature a patent pending field-changeable adapter door, allowing the same pan or housing to be converted to a different size (2", 3", or 4") or shape (round or square) in the field, up until the ceiling is installed;
- Square adapter doors feature a reject collar that is adjustable 90 degrees and has gunsight notches for precise alignment;
- New Construction Pan and IC Housing include adjustable hanger bars for installation to wood joists or T-grid suspended ceilings;
- Adjustable height butterfly brackets are available for mounting with the available C-channel, the included adjustable hanger bars, EMT, or furring strip.

RATINGS/CERTIFICATIONS

- ETL listed to US and Canadian standards (UL1598)
- Wet location rated. Optional shower gasket available for use with flanged ceiling application. Millwork ceiling application requires caulking for wet location rating, otherwise damp location rated;
- Meets CA Title 24 Part 6 JA8 High Efficacy LED and Chicago plenum requirements when used with standard driver and IC housing;
- 5 year limited warranty (see website for terms);
- Emergency Use: 35W High Efficiency Invertor with integrated battery backup and test switch available.





HOW TO ORDER

Intervals Recessed can be ordered in two ways: Made-To-Order with full configurability, and Quick Ship with limited configurability. For Made-To-Order, build your item numbers for the rough-in section (includes housing and driver) and the finishing section (includes LED light engine and trim), plus any accessories ordered separately. For Quick Ship, simply build the single Quick Ship item number, plus any accessories, ceiling applications, or optics (the preselected options for Quick Ship items are shown as highlighted in the Made-To-Order tables)

MADE-TO-ORDER PROGRAM ORDERING INFORMATION

ROUGH-IN SECTION ITEM NUMBER (Specify from left to right, filling in each box, e.g. 25RN4RICCPSTANFSH00V1)								
25RN4								V1
Family	Aperture Shape	Mounting	Driver	Driver Location	Light Source/Power	Butterfly Brackets	Flangeless Mud-In	Version
25RN4 Intervals Recessed Rough-In Section	R Round	ICCP ⁽¹⁾ New Construction IC Housing, Chicago Plenum	STAN ERP, 120/277V, Forward Phase, Reverse Phase, and 0-10V Dimming to 1%	F Fixture	SH Static White High Output (29W)	0 No	0 No	V1 Version 1
	S Square	NCPA ⁽¹⁾ New Construction Pan RMDL ⁽¹⁾ Remodel	PEQ0 ⁽²⁾ Lutron Hi-Lume Premier, 120/277V, EcoSystem Dimming to 0.1% with Soft-on and Fade-to-Black DPOE ^(3,4) Power Over Ethernet	R* Remote	SL Static White Low Output (21W)	1 ⁽⁵⁾ Yes (Included)	1 ⁽⁵⁾ Yes (Included)	

*Only necessary if the driver will be physically remoted from the luminaire.

FINISHING SECTION ITEM NUMBER (Specify from left to right, filling in each box, e.g. 25FN4RBVSTSW3000NSCFSWV1HEX)										
25FN4			ST						V1	
Family	Aperture Shape	Trim Style	Regress	Trim Finish	CCT	Optic	Ceiling Application	Ceiling Application Finish	Version	Optical Accessories (blank if none; up to two options)
25FN4 Intervals Recessed Finishing Section	R Round	BV Bevel	ST Standard	SW ⁽⁶⁾ Satin White	2200 ⁽⁷⁾ 2200K	NS 19° Narrow Spot	CF Flanged	SW ⁽¹¹⁾ Satin White	V1 Version 1	HEX Honeycomb Louver <i>(If second accessory is not specified, will include Clear Glass Lens)</i> LIN ⁽¹²⁾ Linear Spread Lens SOL Microprism Lens CLR Clear Glass Lens
		S Square		PH Pinhole	SK Satin Black	2700 ⁽⁸⁾ 2700K		MS 24° Medium Spot		
			SA Satin Aluminum	3000 ⁽⁸⁾ 3000K	WS 39° Wide Spot	NA ^(9,10) Flangeless Mud-In	SA Satin Aluminum			
				3500 ⁽⁸⁾ 3500K 4000 ⁽⁸⁾ 4000K	FL 60° Flood					

QUICK SHIP PROGRAM ORDERING INFORMATION

(see next page to order optics or ceiling applications separately)

QUICK SHIP ITEM NUMBER
(Specify from left to right, filling in each box, e.g. IQ4R27V1)

IQ4			V1
Family	Aperture Shape	CCT	Version
IQ4 Intervals Recessed Quick Ship	R Round	27 2700K	V1 Version 1
	S Square	30 3000K	
		35 3500K	

QUICK SHIP COMPONENT BREAKDOWN
Round Rough-in section order number: 25RN4RICCPSTANFSH00V1-FA <i>(IQ4R27V1, IQ4R30V1, IQ4R35V1)</i>
Round Finishing section order number: 25FN4RBVSTSW2700FLCFSWV1-FA <i>(IQ4R27V1)</i> 25FN4RBVSTSW3000FLCFSWV1-FA <i>(IQ4R30V1)</i> 25FN4RBVSTSW3500FLCFSWV1-FA <i>(IQ4R35V1)</i>
Square Rough-in section order number: 25RN4SICCPSTANFSH00V1-FA <i>(IQ4S27V1, IQ4S30V1, IQ4S35V1)</i>
Square Finishing section order number: 25FN4SBVSTSW2700FLCFSWV1-FA <i>(IQ4S27V1)</i> 25FN4SBVSTSW3000FLCFSWV1-FA <i>(IQ4S30V1)</i> 25FN4SBVSTSW3500FLCFSWV1-FA <i>(IQ4S35V1)</i>

Preselected Quick Ship Options

- (1) Non-IC Rated for Driver Location F with Driver PEQ0 or with Driver STAN and Light Source/Power SH.
- (2) Requires Light Source/Power SL
- (3) Requires Driver Location R
- (4) Special order, contact factory requires enclosure provided by others
- (5) Requires Mounting ICCP or NCPA
- (6) Includes Satin Black interior for Trim Style PH
- (7) Minimum 80CRI
- (8) Minimum 90CRI
- (9) Requires Rough-In Section Mounting ICCP or NCPA Select Flangeless Mud-in: 1 in the rough-in section table, or order separately from the accessories table.
- (10) Requires Ceiling Application Finish SW
- (11) Field-Paintable
- (12) Not recommended for Optic FL



ACCESSORIES ORDERING INFORMATION

ACCESSORIES ITEM NUMBERS (e.g. 25ZCCH27)		
25Z		
Family	Style	Size/Finish (if applicable)
25Z Intervals Recessed Accessories	<p>BTF Butterfly Bracket Set (set of 2)</p> <p>CCH C-Channel (set of 2, requires butterfly brackets)</p> <p>LWP 20' Luminaire Whip for remote driver</p> <p>RSG04 4" Round Shower Gasket</p> <p>SSG04 4" Square Shower Gasket</p> <p>RGP04 4" Round Goof Plate</p> <p>SGP04 4" Square Goof Plate</p> <p>HEX04 4" Honeycomb Louver</p> <p>LIN04 4" Linear Spread Lens</p> <p>SOL04 4" Microprism Lens</p> <p>CLR04 4" Clear Glass Lens</p> <p>IIS35HE Iota 35W High Efficiency Inverter</p>	<p>27 27" C-Channel Set</p> <p>52 52" C-Channel Set</p> <p>SW Satin White Goof Plate</p> <p>SK Satin Black Goof Plate</p> <p>SA Satin Aluminum Goof Plate</p>

ADDITIONAL OPTICS

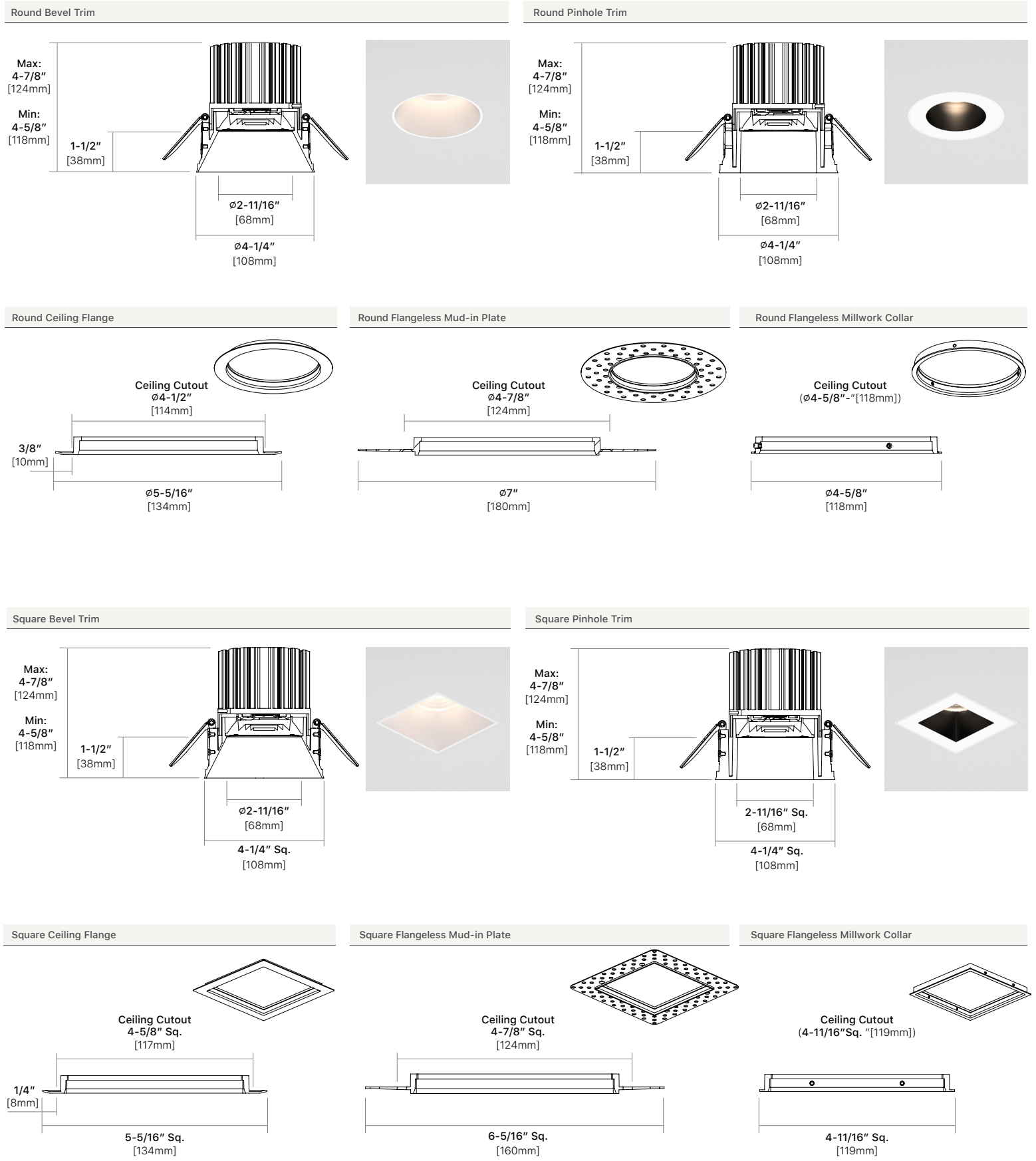
OPTICS (e.g. 25O4NS)	
25O4	
Family	Beam Angle
25O4 Intervals Recessed Optic	<p>NS 19° Narrow Spot</p> <p>MS 24° Medium Spot</p> <p>WS 39° Wide Spot</p> <p>FL 60° Flood</p>

ADDITIONAL CEILING APPLICATIONS

CEILING APPLICATIONS (e.g. 25F4RFMSW)			
25F4			
Family	Aperture Shape	Style	Finish
25F4 Intervals Recessed Ceiling Application	<p>R Round</p> <p>S Square</p>	<p>CF Ceiling Flange</p> <p>FM Flangeless Mud-In</p> <p>MW Flangeless Millwork</p>	<p>SW ○ Satin White</p> <p>SK ● Satin Black (Ceiling Flange only)</p> <p>SA ● Satin Aluminum (Ceiling Flange only)</p>

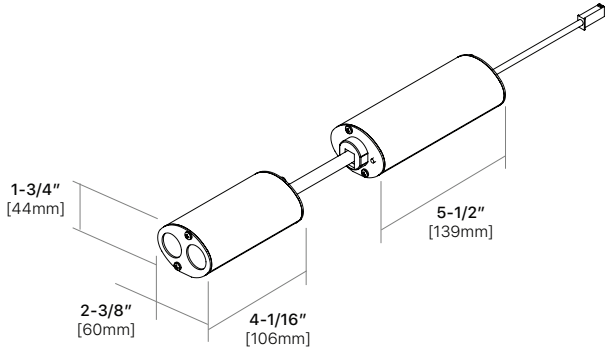


DIMENSIONS

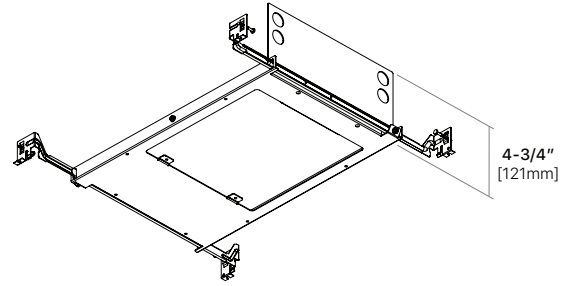




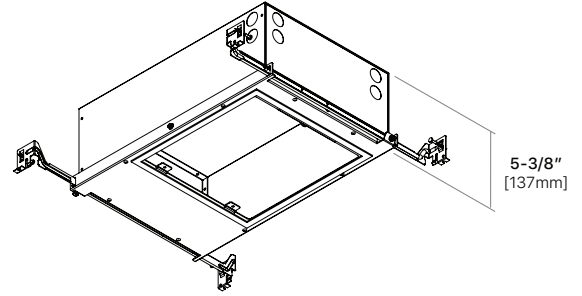
Driver Housing



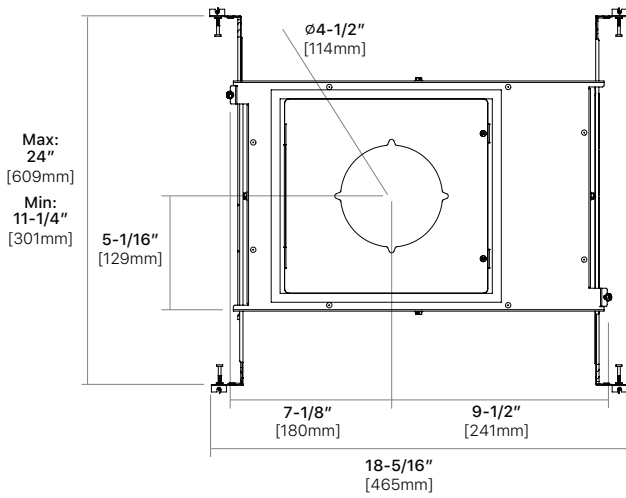
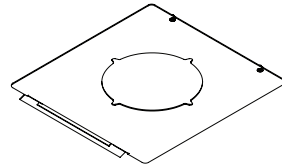
New Construction Pan



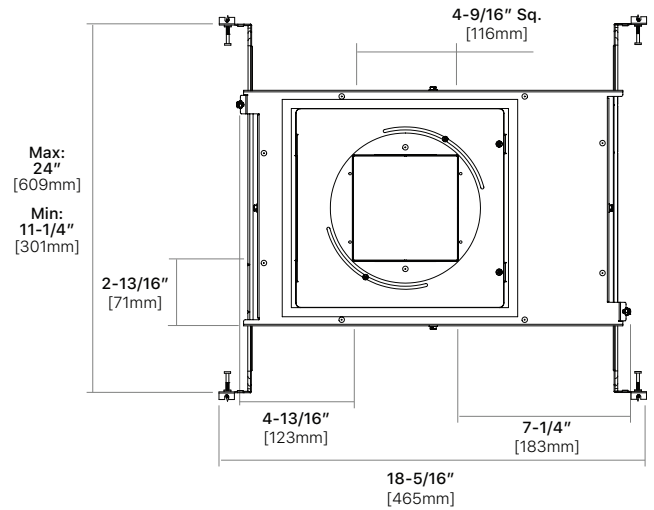
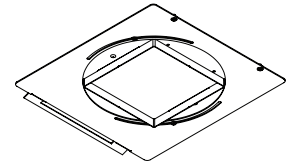
IC Housing



IC Housing with 4" Round Adapter Door

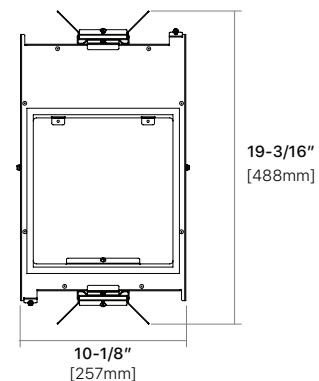


IC Housing with 4" Square Adapter Door

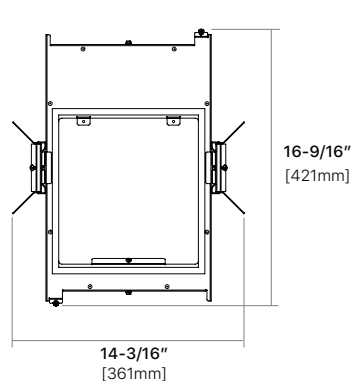


IC Housing with Adjustable Butterfly Brackets

Front and Back Application

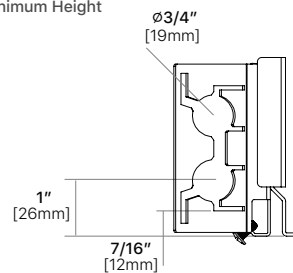


Side Application

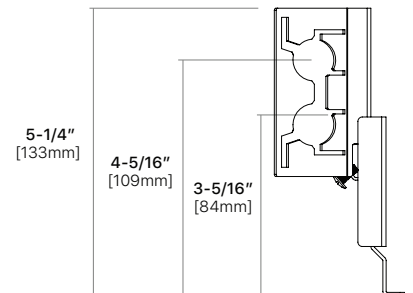


Adjustable Butterfly Brackets

Minimum Height



Maximum Height

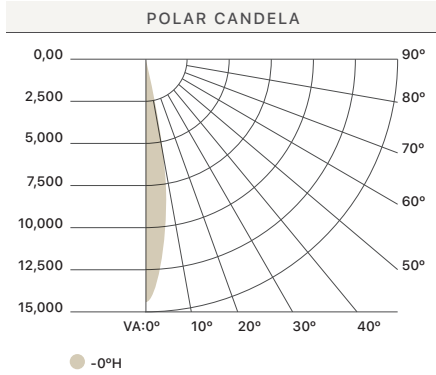




INDOOR PHOTOMETRIC REPORT

4" RECESSED DOWNLIGHT
NARROW SPOT 19°

Description: 4 inch Round Bevel Trim 3000K Narrow Spot 19° | Lamp Output: 1 lamp, rated Lumens/lamp: 2490.6
Input Wattage: 26.7377 Max Cd: 14,438.5 at horizontal: 0°, Vertical: 0° | Spacing Criterion: @0 = 0.3/ @90 = 0.33 | High Output

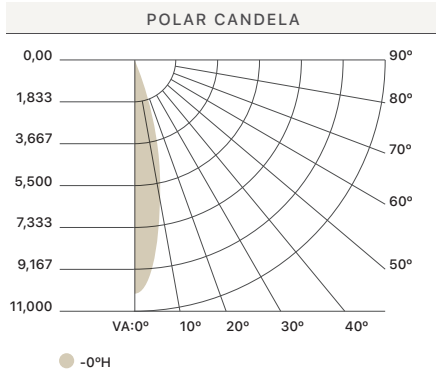


Height (ft)	Center Beam Footcandle	Beam Spread (ft)		Field Spread (ft)	
		Horizontal	Vertical	Horizontal	Vertical
8.00	225.60 fc	2.7	2.7	5.6	5.6
10.00	144.39 fc	3.4	3.3	7.0	7.0
12.00	100.27 fc	4.0	4.0	8.4	8.4
14.00	73.67 fc	4.7	4.7	9.8	9.9
16.00	56.40 fc	5.4	5.4	11.2	11.3
		Beam Angle		Field Angle	
		19.1°	19.0°	38.6°	38.8°

	CANDELA TABLE - TYPE C								
	0	45	90	135	180	225	270	315	360
0	14439	14439	14439	14439	14439	14439	14439	14439	14439
5	11169	11532	11942	12087	12229	11872	11653	11498	11169
15	2649	2864	3062	3185	3358	3104	2893	2742	2649
25	514	568	632	639	672	607	548	518	514
35	260	284	296	296	299	291	271	260	260
45	152	160	163	163	164	161	156	153	152
55	47	50	51	51	51	51	49	47	47
65	22	23	23	23	24	24	24	22	22
75	11	12	12	12	12	12	12	12	11
85	3	3	3	3	3	3	3	3	3
90	0	0	0	0	0	0	0	0	0

4" RECESSED DOWNLIGHT
MEDIUM SPOT 24°

Description: 4 inch Round Bevel Trim 3000K Medium Spot 24° | Lamp Output: 1 lamp, rated Lumens/lamp: 2322.7
Input Wattage: 26.7933 | Max Cd: 10,363.8 at horizontal: 135°, Vertical: 1° | Spacing Criterion: @0 = 0.4/ @90 = 0.41 | High Output

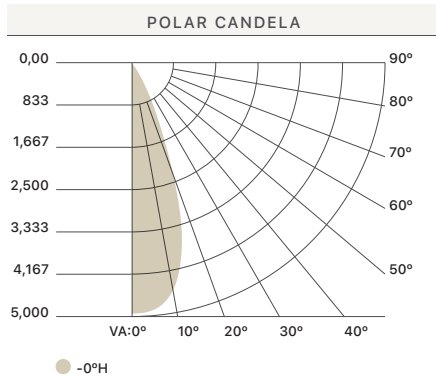


Height (ft)	Center Beam Footcandle	Beam Spread (ft)		Field Spread (ft)	
		Horizontal	Vertical	Horizontal	Vertical
8.00	161.91 fc	3.5	3.5	6.1	6.2
10.00	103.63 fc	4.3	4.3	7.7	7.7
12.00	71.96 fc	5.2	5.2	9.2	9.2
14.00	52.87 fc	6.0	6.1	10.8	10.8
16.00	40.48 fc	6.9	6.9	12.3	12.3
		Beam Angle		Field Angle	
		24.4°	24.4°	42.0°	42.2°

	CANDELA TABLE - TYPE C								
	0	45	90	135	180	225	270	315	360
0	10363	10363	10363	10363	10363	10363	10363	10363	10363
5	8893	9122	9316	9305	9257	8964	8787	8834	8893
15	3350	3759	4038	3968	3868	3482	3192	3260	3350
25	440	496	542	535	489	435	429	432	440
35	225	233	228	217	213	221	224	223	225
45	125	141	147	136	129	124	118	120	125
55	50	55	57	56	54	53	49	49	50
65	20	23	24	24	23	22	20	19	20
75	10	11	12	12	12	11	10	9	10
85	2	3	3	3	3	3	2	2	2
90	0	0	0	0	0	0	0	0	0

4" RECESSED DOWNLIGHT
WIDE SPOT 39°

Description: 4 inch Round Bevel Trim 3000K Wide Spot 39° | Lamp Output: 1 lamp, rated Lumens/lamp: 2354.8
Input Wattage: 26.8522 | Max Cd: 4,930.0 at horizontal: 180°, Vertical: 1° | Spacing Criterion: @0 = 0.65/ @90 = 0.65 | High Output

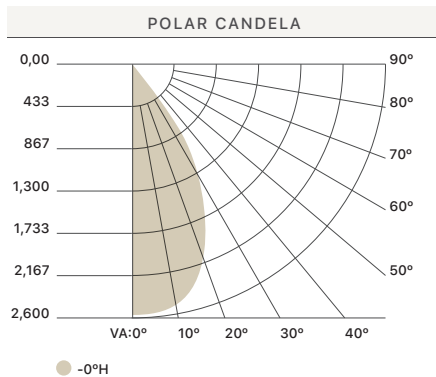


Height (ft)	Center Beam Footcandle	Beam Spread (ft)		Field Spread (ft)	
		Horizontal	Vertical	Horizontal	Vertical
8.00	76.95 fc	5.7	5.7	9.2	9.2
10.00	76.95 fc	7.1	7.1	11.5	11.5
12.00	34.20 fc	8.5	8.5	13.8	13.7
14.00	25.13 fc	9.9	9.9	16.1	16.0
16.00	19.24 fc	11.3	11.3	18.4	18.3
		Beam Angle		Field Angle	
		38.9°	39.0°	59.9°	59.6°

	CANDELA TABLE - TYPE C								
	0	45	90	135	180	225	270	315	360
0	4925	4925	4925	4925	4925	4925	4925	4925	4925
5	4829	4835	4872	4886	4887	4870	4858	4841	4829
15	3598	3704	3753	3723	3705	3607	3536	3568	3598
25	1022	1096	1122	1078	1073	1022	1005	1026	1022
35	300	308	306	301	299	301	303	296	300
45	144	151	154	147	150	146	145	143	144
55	54	57	57	56	56	55	53	53	54
65	23	25	26	26	25	24	23	22	23
75	11	12	13	13	13	12	11	11	11
85	3	3	3	3	3	3	3	3	3
90	0	0	0	0	0	0	0	0	0

4" RECESSED DOWNLIGHT
FLOOD 60°

Description: 4 inch Round Bevel Trim 3000K Flood 60° | Lamp Output: 1 lamp, rated Lumens/lamp: 2437.9
Input Wattage: 26.7234 Max Cd: 2,547.4 at horizontal: 135°, Vertical: 7° | Spacing Criterion: @0 = 0.95/ @90 = 0.96 | High Output



Height (ft)	Center Beam Footcandle	Beam Spread (ft)		Field Spread (ft)	
		Horizontal	Vertical	Horizontal	Vertical
8.00	39.46 fc	9.2	9.1	15.1	15.1
10.00	25.26 fc	11.5	11.4	18.9	18.9
12.00	17.54 fc	13.8	13.7	22.7	22.7
14.00	12.89 fc	16.1	16.0	26.5	26.5
16.00	9.87 fc	18.3	18.2	30.3	30.2
		Beam Angle		Field Angle	
		59.7°	59.4°	86.8°	86.8°

	CANDELA TABLE - TYPE C								
	0	45	90	135	180	225	270	315	360
0	2526	2526	2526	2526	2526	2526	2526	2526	2526
5	2523	2532	2540	2544	2540	2528	2516	2516	2523
15	2368	2394	2423	2439	2423	2387	2358	2360	2368
25	1752	1794	1838	1824	1789	1746	1727	1732	1752
35	717	766	780	739	720	699	694	719	717
45	204	225	223	202	192	181	182	192	204
55	64	68	66	62	60	59	59	61	64
65	21	22	20	21	20	20	20	21	21
75	11	12	11	11	11	10	11	11	11
85	3	3	3	3	3	3	3	3	3
90	0	0	0	0	0	0	0	0	0