



NOTES



Fixture Type:

Project:

Location:

Model Numbers:

DESCRIPTION

- Intervals Recessed 4" Downlights offer specification-grade performance and features, in a completely modular and field-configurable system;
- Every light engine integrates with any of the trims, and every trim works with all of the ceiling application and housing options.

**DELIVERED LUMENS** Up to 1,900Lm

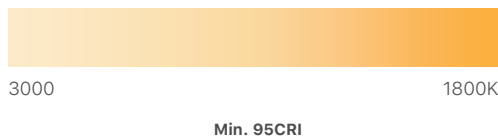
**WATTS** ~27W

**OPTICS** Field-Changeable 23° / 27° / 39° / 55°

TRIM OPTIONS

- Round Bevel
- Round Pinhole
- Square Bevel
- Square Pinhole

COLOR TEMPERATURE



LIGHT ENGINE

- Up to 1,900 delivered lumens, 27W, field-replaceable
- Cold forged aluminum with anodized champagne finish provides a lightweight heat sink with excellent thermal performance in a compact size;
- LTF chip-on-board LED with warm dimming from 3000K to 1800K, min. 95 CRI, and 3-Step color binning.

DRIVER

- Standard driver is field-replaceable and accessible from below the ceiling;
- 120/277VAC input;
- 1% dimming with forward/reverse phase (at 120VAC) and 0-10V dimming controls;
- Multiple drivers with additional dimming protocols available.

OPTICS

- Field-changeable TIR optics with a smooth beam, no softening lens required;
- Available in narrow spot (23°), medium spot (27°), wide spot (39°), and flood (55°) distributions;
- Up to 2 optical accessories can be used without any extra holder, to further refine lighting effects. Available optical accessories include honeycomb louver micropism lens, linear spread lens, and clear glass lens.

TRIMS

- Die cast aluminum construction for strength and durability;
- Patent pending spring-loaded connection to the light engine keeps the optic tight against the trim opening, providing a highly efficient and an inherently airtight fixture;
- Electro-coated steel spring wings allow for tool-free installation and servicing in ceiling thicknesses from 0.5"-1.5";
- Delivered lumens are maintained through the full range of ceiling thicknesses;
- Available in powder coated satin white and satin black, and painted satin aluminum finishes.

CEILING APPLICATIONS

- Available in flanged, flangeless mud-in, and flangeless millwork, all in die cast aluminum;
- Flanged ceiling application features a tapered Feather Edge profile for a minimal appearance and provides a universal solution for all ceiling types. Available in trim-coordinating finishes of satin black, satin aluminum, and field-paintable satin white;
- Flangeless mud-in ceiling application securely attaches to the housing, providing a flush and seamless appearance in gypsum and plaster ceilings with no warping or cracking. Available in field-paintable satin white finish;
- Flangeless millwork ceiling application provides a flangeless appearance in wood or stone ceilings. Available in field-paintable satin white finish.

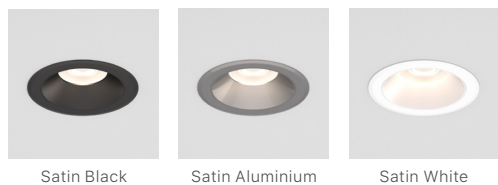
HOUSINGS/INSTALLATION

- Patent pending two-part junction box and driver housing is included for remodel and new construction installations and allows for easy servicing and inspection from below the ceiling;
- Junction box has two 1/2" trade size knockouts and is rated for through-wiring of 12AWG conductors;
- New Construction Pan and IC Housing feature a patent pending field-changeable adapter door, allowing the same pan or housing to be converted to a different size (2", 3", or 4") or shape (round or square) in the field, up until the ceiling is installed;
- Square adapter doors feature a reject collar that is adjustable 90 degrees and has gunsight notches for precise alignment;
- New Construction Pan and IC Housing include adjustable hanger bars for installation to wood joists or T-grid suspended ceilings;
- Adjustable height butterfly brackets are available for mounting with the available C-channel, the included adjustable hanger bars, EMT, or furring strip.

RATINGS/CERTIFICATIONS

- ETL listed to US and Canadian standards (UL1598)
- Wet location rated. Optional shower gasket available for use with flanged ceiling application. Millwork ceiling application requires caulking for wet location rating, otherwise damp location rated;
- Meets CA Title 24 Part 6 JA8 High Efficacy LED and Chicago plenum requirements when used with standard driver and IC housing;
- 5 year limited warranty (see website for terms);
- Emergency Use: 35W High Efficiency Invertor with integrated battery backup and test switch available.

AVAILABLE TRIM FINISHES



CEILING APPLICATIONS





**HOW TO ORDER**

Build your item numbers for the rough-in section (includes housing and driver) and the finishing section (includes LED light engine and trim), plus any accessories ordered separately.

**MADE-TO-ORDER PROGRAM ORDERING INFORMATION**

ROUGH-IN SECTION ITEM NUMBER (Specify from left to right, filling in each box, e.g. 25RN4RICCPSTANFWD00V1)

<b>25RN4</b>					<b>WD</b>			<b>V1</b>
<b>Family</b>	<b>Aperture Shape</b>	<b>Mounting</b>	<b>Driver</b>	<b>Driver Location</b>	<b>Light Source/Power</b>	<b>Butterfly Brackets</b>	<b>Flangeless Mud-In</b>	<b>Version</b>
<b>25RN4</b> Intervals Recessed Rough-In Section	<b>R</b> Round  <b>S</b> Square	<b>ICCP</b> <sup>(1)</sup> New Construction IC Housing, Chicago Plenum <b>NCPA</b> <sup>(1)</sup> New Construction Pan <b>RMDL</b> <sup>(1)</sup> Remodel	<b>STAN</b> ERP, 120/277V, Forward Phase, Reverse Phase, and 0-10V Dimming to 1% <b>DPOE</b> <sup>(2,3)</sup> Power Over Ethernet	<b>F</b> Fixture  <b>R*</b> Remote	<b>WD</b> Warm Dimming (27W)	<b>0</b> No  <b>1</b> <sup>(4)</sup> Yes (Included)	<b>0</b> No  <b>1</b> <sup>(4)</sup> Yes (Included)	<b>V1</b> Version 1

\*Only necessary if the driver will be physically remoted from the luminaire.

FINISHING SECTION ITEM NUMBER (Specify from left to right, filling in each box, e.g. 25FN4RBVSTSW3018NSCFSWV1HEX)

<b>25FN4</b>			<b>ST</b>		<b>3018</b>				<b>V1</b>		
<b>Family</b>	<b>Aperture Shape</b>	<b>Trim Style</b>	<b>Regress</b>	<b>Trim Finish</b>	<b>CCT</b>	<b>Optic</b>	<b>Ceiling Application</b>	<b>Ceiling Application Finish</b>	<b>Version</b>	<b>Optical Accessories</b> (blank if none; up to two options)	
<b>25FN4</b> Intervals Recessed Finishing Section	<b>R</b> Round  <b>S</b> Square	<b>BV</b> Bevel  <b>PH</b> Pinhole	<b>ST</b> Standard	<b>SW</b> <sup>(5)</sup> ○ Satin White <b>SK</b> ● Satin Black <b>SA</b> <sup>(5)</sup> ● Satin Aluminum	<b>3018</b> <sup>(6)</sup> 3000 -1800K	<b>NS</b> 23° Narrow Spot  <b>MS</b> 27° Medium Spot  <b>WS</b> 39° Wide Spot  <b>FL</b> 55° Flood	<b>CF</b> Flanged  <b>MW</b> <sup>(8)</sup> Flangeless Millwork <b>NA</b> <sup>(7, 8)</sup> Flangeless Mud-In	<b>SW</b> <sup>(9)</sup> ○ Satin White <b>SK</b> ● Satin Black <b>SA</b> ● Satin Aluminum	<b>V1</b> Version 1	<b>HEX</b> Honeycomb Louver <i>(If second accessory is not specified, will include Clear Glass Lens)</i> <b>LIN</b> Linear Spread Lens <b>SOL</b> Microprism Lens <b>CLR</b> Clear Glass Lens	

- (1) Non-IC Rated for Driver Location F
- (2) Requires Driver Location R
- (3) Special order, contact factory; requires enclosure provided by others
- (4) Requires Mounting ICCP or NCPA
- (5) Includes Satin Black interior for Trim Style PH
- (6) Minimum 95 CRI
- (7) Requires Rough-In Section Mounting ICCP or NCPA  
Select Flangeless Mud-in: 1 in the rough-in section table, or order separately from the accessories table.
- (8) Requires Ceiling Application Finish SW
- (9) Field-paintable



ACCESSORIES ORDERING INFORMATION

ACCESSORIES ITEM NUMBERS (e.g. 25ZCCH27)		
<b>25Z</b>		
<b>Family</b>	<b>Style</b>	<b>Size/Finish (if applicable)</b>
<b>25Z</b> Intervals Recessed Accessories	<p><b>BTF</b> Butterfly Bracket Set (set of 2)</p> <p><b>CCH</b> C-Channel (set of 2, requires butterfly brackets)</p> <p><b>LWP</b> 20' Luminaire Whip for remote driver</p> <p><b>RSG04</b> 4" Round Shower Gasket</p> <p><b>SSG04</b> 4" Square Shower Gasket</p> <p><b>RGP04</b> 4" Round Goof Plate</p> <p><b>SGP04</b> 4" Square Goof Plate</p> <p><b>HEX04</b> 4" Honeycomb Louver</p> <p><b>LIN04</b> 4" Linear Spread Lens</p> <p><b>SOL04</b> 4" Microprism Lens</p> <p><b>CLR04</b> 4" Clear Glass Lens</p> <p><b>IIS35HE</b> Iota 35W High Efficiency Inverter</p>	<p><b>27</b> 27" C-Channel Set</p> <p><b>52</b> 52" C-Channel Set</p> <p><b>SW</b> Satin White Goof Plate</p> <p><b>SK</b> Satin Black Goof Plate</p> <p><b>SA</b> Satin Aluminum Goof Plate</p>

ADDITIONAL OPTICS

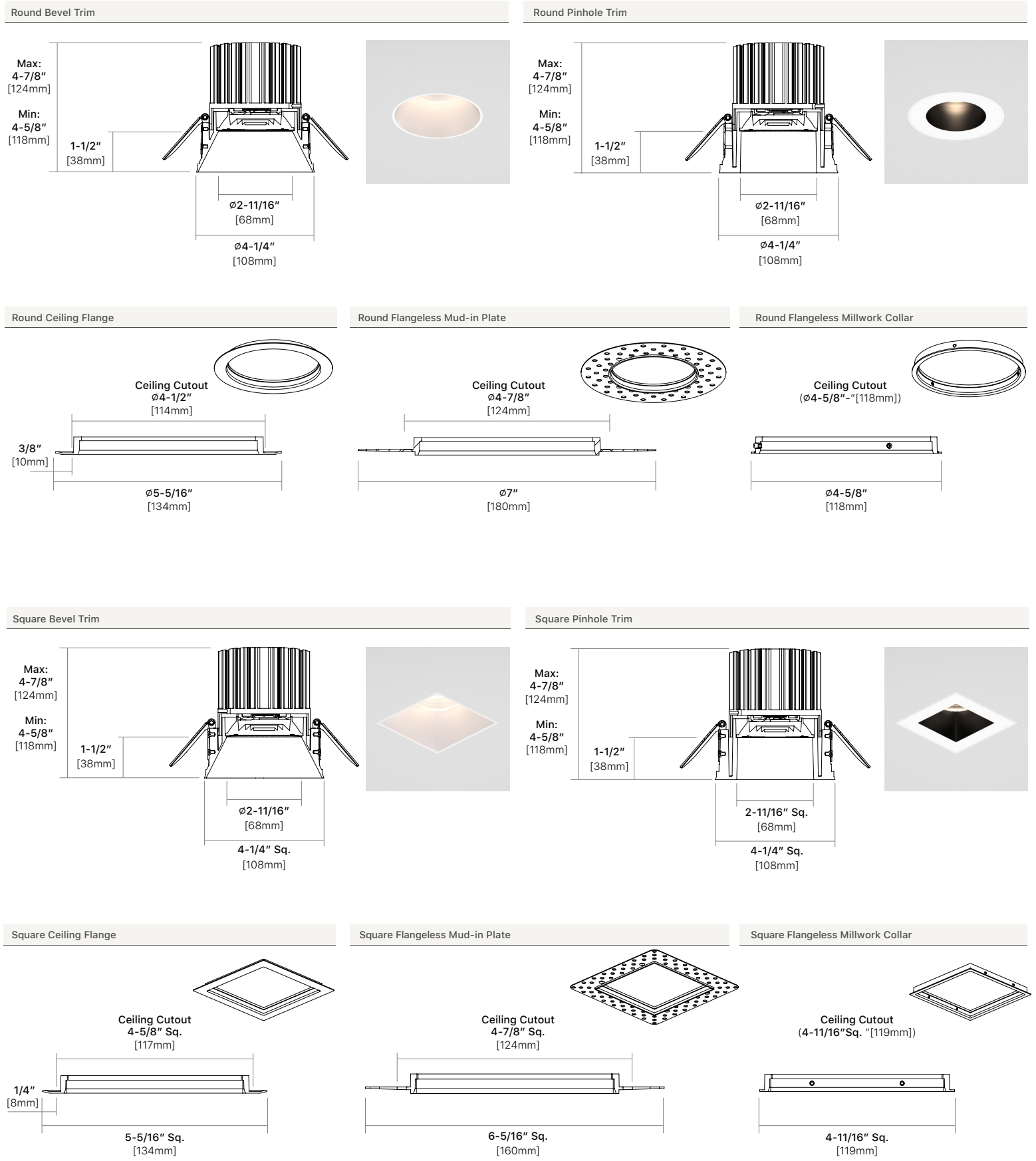
OPTICS (e.g. 25O4NS)	
<b>25O4</b>	
<b>Family</b>	<b>Beam Angle</b>
<b>25O4</b> Intervals Recessed Optic	<p><b>NS</b> 23° Narrow Spot</p> <p><b>MS</b> 27° Medium Spot</p> <p><b>WS</b> 39° Wide Spot</p> <p><b>FL</b> 55° Flood</p>

ADDITIONAL CEILING APPLICATIONS

CEILING APPLICATIONS (e.g. 25F4RFMSW)			
<b>25F4</b>			
<b>Family</b>	<b>Aperture Shape</b>	<b>Style</b>	<b>Finish</b>
<b>25F4</b> Intervals Recessed Ceiling Application	<p><b>R</b> Round</p> <p><b>S</b> Square</p>	<p><b>CF</b> Ceiling Flange</p> <p><b>FM</b> Flangeless Mud-In</p> <p><b>MW</b> Flangeless Millwork</p>	<p><b>SW</b> ○ Satin White</p> <p><b>SK</b> ● Satin Black (Ceiling Flange only)</p> <p><b>SA</b> ● Satin Aluminum (Ceiling Flange only)</p>

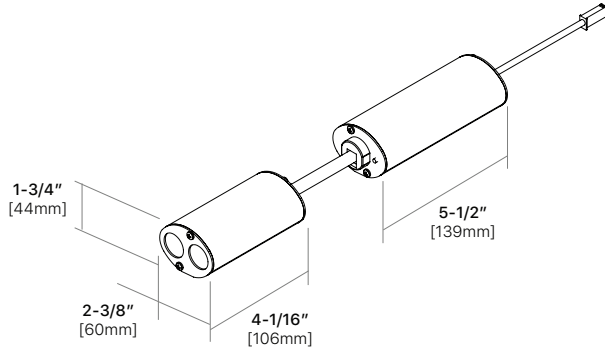


DIMENSIONS

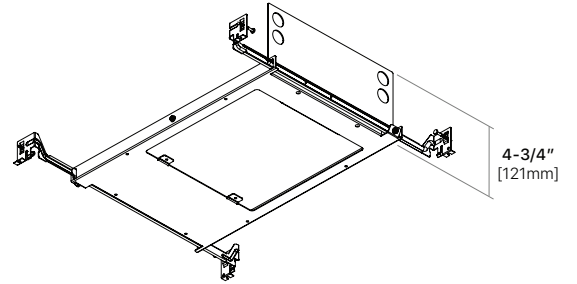




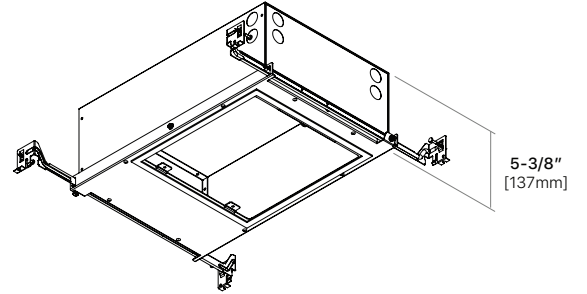
Driver Housing



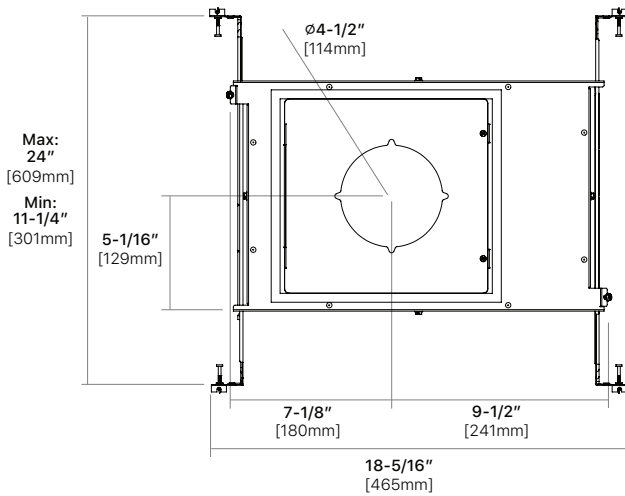
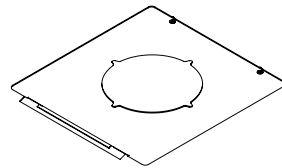
New Construction Pan



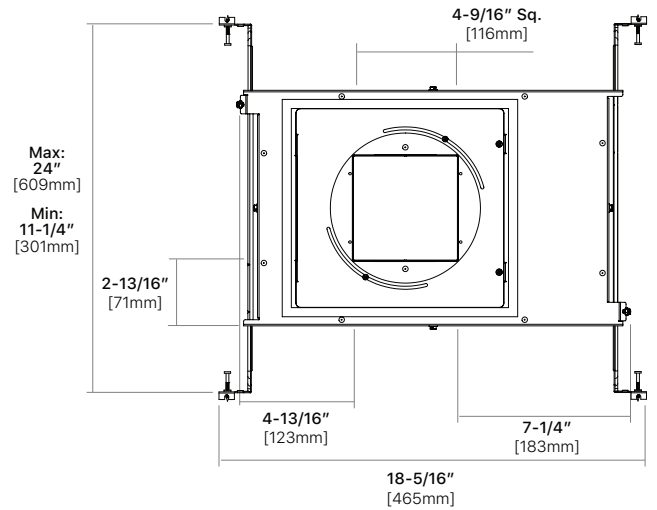
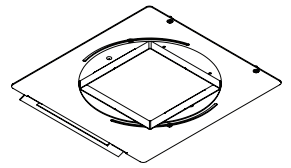
IC Housing



IC Housing with 4" Round Adapter Door

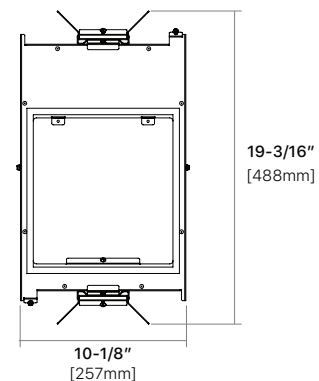


IC Housing with 4" Square Adapter Door

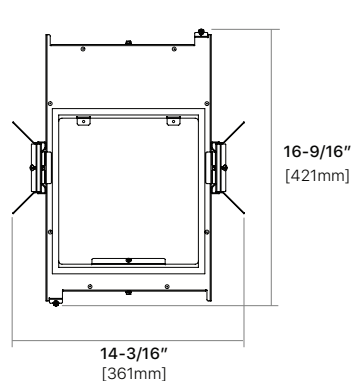


IC Housing with Adjustable Butterfly Brackets

Front and Back Application

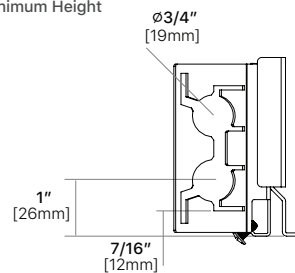


Side Application

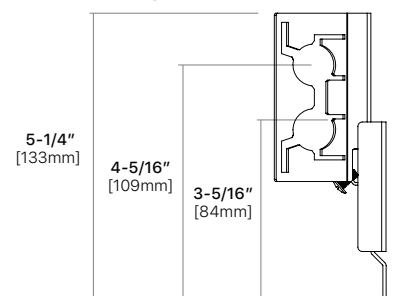


Adjustable Butterfly Brackets

Minimum Height



Maximum Height

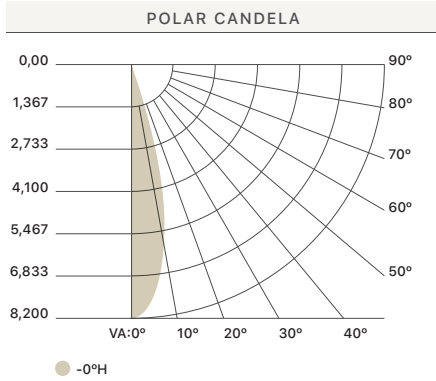




INDOOR PHOTOMETRIC REPORT

4" RECESSED DOWNLIGHT  
NARROW SPOT 23°

Description: 4 inch Round Bevel Trim Warm Dimming Narrow Spot 23° | Lamp Output: 1 lamp, rated Lumens/lamp: 2490.6  
Input Wattage: 26.7377 Max Cd: 14,438.5 at horizontal: 0°, Vertical: 0° | Spacing Criterion: @0 = 0.3/ @90 = 0.33 | High Output

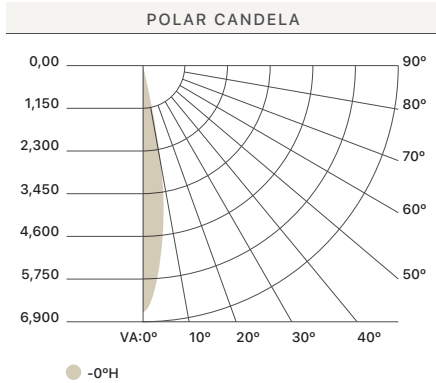


Height (ft)	Center Beam Footcandle	Beam Spread (ft)		Field Spread (ft)	
		Horizontal	Vertical	Horizontal	Vertical
8.00	125.58 fc	3.2	3.2	6.5	6.5
10.00	80.37 fc	4.0	4.0	8.2	8.1
12.00	55.82 fc	4.8	4.8	9.8	9.7
14.00	41.01 fc	5.6	5.6	11.5	11.4
16.00	31.40 fc	6.4	6.4	13.1	13.0
		Beam Angle		Field Angle	
		22.7°	22.7°	44.5°	44.3°

	CANDELA TABLE - TYPE C								
	0	45	90	135	180	225	270	315	360
0	8037	8037	8037	8037	8037	8037	8037	8037	8037
5	7293	7153	7325	7255	7340	7428	7238	7356	7293
15	2406	2210	2444	2469	2470	2619	2485	2494	2406
25	493	497	503	507	521	633	541	563	493
35	219	219	220	209	209	230	227	229	219
45	119	117	119	118	121	129	124	123	119
55	43	42	44	44	43	46	43	44	43
65	19	18	19	20	20	21	19	19	19
75	9	8	9	9	9	9	9	9	9
85	2	2	2	2	2	2	2	2	2
90	0	0	0	0	0	0	0	0	0

4" RECESSED DOWNLIGHT  
MEDIUM SPOT 27°

Description: 4 inch Round Bevel Trim Warm Dimming Medium Spot 27° | Lamp Output: 1 lamp, rated Lumens/lamp: 1750.5  
Input Wattage: 27.3042 | Max Cd: 6,862.4 at horizontal: 225°, Vertical: 1° | Spacing Criterion: @0 = 0.43/ @90 = 0.44 | High Output

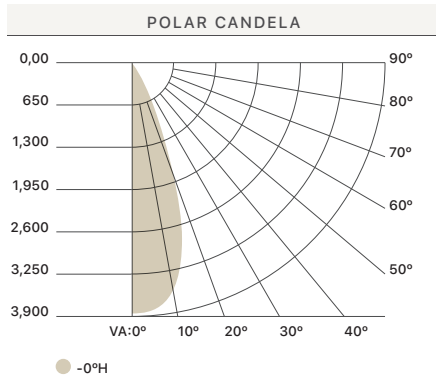


Height (ft)	Center Beam Footcandle	Beam Spread (ft)		Field Spread (ft)	
		Horizontal	Vertical	Horizontal	Vertical
1.00	6,847.40 LUX	0.5	0.5	0.8	0.8
2.00	1,711.85 LUX	0.9	0.9	1.7	1.7
3.00	760.82 LUX	1.4	1.4	2.5	2.5
4.00	427.96 LUX	1.9	1.9	3.3	3.3
		Beam Angle		Field Angle	
		26.4°	26.5°	45.4°	45.3°

	CANDELA TABLE - TYPE C								
	0	45	90	135	180	225	270	315	360
0	6847	6847	6847	6847	6847	6847	6847	6847	6847
5	5989	5964	6036	6051	6209	6277	6136	6186	5989
15	2679	2558	2756	2756	3002	3008	2921	2903	2679
25	373	361	365	375	428	493	426	442	373
35	156	145	148	153	167	170	170	176	156
45	89	87	90	91	98	101	97	101	89
55	41	42	43	43	44	45	43	43	41
65	15	15	15	16	16	17	15	16	15
75	7	7	7	7	8	8	7	7	7
85	2	1	2	2	2	2	2	2	2
90	0	0	0	0	0	0	0	0	0

4" RECESSED DOWNLIGHT  
WIDE SPOT 39°

Description: 4 inch Round Bevel Trim Warm Dimming Wide Spot 39° | Lamp Output: 1 lamp, rated Lumens/lamp: 1784  
Input Wattage: 27.2724 | Max Cd: 3,852.7 at horizontal: 0°, Vertical: 1° | Spacing Criterion: @0 = 0.62/ @90 = 0.65 | High Output

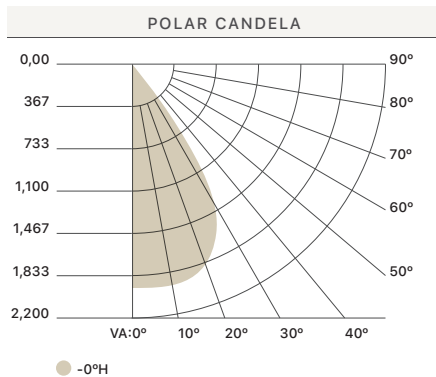


Height (ft)	Center Beam Footcandle	Beam Spread (ft)		Field Spread (ft)	
		Horizontal	Vertical	Horizontal	Vertical
8.00	60.15 fc	5.7	5.7	8.9	8.9
10.00	38.50 fc	7.1	7.1	11.2	11.2
12.00	26.73 fc	8.6	8.6	13.4	13.4
14.00	19.64 fc	10.0	10.0	15.6	15.6
16.00	15.04 fc	11.4	11.4	17.9	17.9
		Beam Angle		Field Angle	
		39.3°	39.3°	58.4°	58.4°

	CANDELA TABLE - TYPE C								
	0	45	90	135	180	225	270	315	360
0	3850	3850	3850	3850	3850	3850	3850	3850	3850
5	3742	3692	3732	3715	3741	3778	3775	3769	3742
15	2604	2450	2592	2658	2849	2990	2903	2809	2604
25	709	635	708	746	953	1222	1000	894	709
35	192	180	191	194	208	227	218	207	192
45	96	92	97	96	102	109	107	105	96
55	44	43	45	45	46	48	46	45	44
65	18	17	17	17	19	19	18	19	18
75	8	8	8	8	9	9	8	8	8
85	2	1	2	2	2	2	2	2	2
90	0	0	0	0	0	0	0	0	0

4" RECESSED DOWNLIGHT  
FLOOD 55°

Description: 4 inch Round Bevel Warm Dimming 3000K Flood 55° | Lamp Output: 1 lamp, rated Lumens/lamp: 1901  
Input Wattage: 27.2369 Max Cd: 2,112.3 at horizontal: 225°, Vertical: 18° | Spacing Criterion: @0 = 1/ @90 = 1.02 | High Output



Height (ft)	Center Beam Footcandle	Beam Spread (ft)		Field Spread (ft)	
		Horizontal	Vertical	Horizontal	Vertical
8.00	30.23 fc	8.2	8.4	12.9	13.2
10.00	19.34 fc	10.3	10.5	16.2	16.5
12.00	13.43 fc	12.3	12.6	19.4	19.8
14.00	9.87 fc	14.4	14.8	22.7	23.1
16.00	7.56 fc	16.4	16.9	25.9	26.4
		Beam Angle		Field Angle	
		54.4°	55.6°	77.9°	79.0°

	CANDELA TABLE - TYPE C								
	0	45	90	135	180	225	270	315	360
0	1934	1934	1934	1934	1934	1934	1934	1934	1934
5	1928	1907	1923	1943	1968	1987	1984	1958	1928
15	1856	1815	1842	1879	1968	2086	2063	1978	1856
25	1487	1379	1399	1470	1612	1773	1733	1658	1487
35	472	419	411	437	525	605	589	567	472
45	105	95	91	96	112	123	124	120	105
55	38	37	34	37	40	43	42	41	38
65	13	13	12	13	13	14	14	14	13
75	7	6	6	6	7	7	7	7	7
85	2	1	1	1	2	2	2	2	2
90	0	0	0	0	0	0	0	0	0