

Notes



Fixture Type

Project

Location

Model Number

Description

Intervals Recessed 3" Downlights offer specification grade performance and features, in a completely modular and field-configurable system;

Every light engine integrates with any of the trims, and every trim works with all of the ceiling application and housing options.*

*Shallow Plenum Restricted

Delivered Lumens

High Output: Up to 1,420Lm
Low Output: Up to 1,060Lm

Watts

High Output: 20W
Low Output: 14W

Optics (Field Changeable)

15° / 27° / 39°

Trim Options

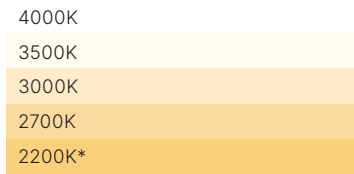
Round

Bevel

Square

Bevel

Color Temperature



Min. 90CRI / *Min. 80CRI

Available Finishes

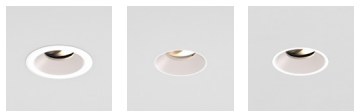


Satin Black

Satin Aluminum

Satin White

Ceiling Applications



Flanged

Mud-in

Millwork

Light Engine

- Up to 1,420 delivered lumens, 20W (high output) or up to 1,060 delivered lumens, 14W (low output), field-replaceable
- Cold forged aluminum with anodized champagne finish provides a lightweight heat sink with excellent thermal performance in a compact size;
- Cree chip-on-board LED, available in 4000K, 3500K, 3000K, 2700K, and 2200K, with min. 90CRI and 2-Step EasyWhite color binning (min. 80CRI and 3-Step for 2200K);
- Same delivered lumens for every color temperature for easy specifying, no multipliers needed.

Driver

- Standard driver is field-replaceable and accessible from below the ceiling;
- 120/277VAC input;
- 1% dimming with forward/reverse phase (at 120VAC) and 0-10V dimming controls;
- Multiple drivers with additional dimming protocols available.

Optics

- Field-changeable TIR optics with a smooth beam, no softening lens required;
 - Available in narrow spot (15°), medium spot (27°), and wide spot (39°) distributions;
 - Up to 2 optical accessories can be used without any extra holder, to further refine lighting effects.
- Available optical accessories include honeycomb louver, microprism lens, linear spread lens, and clear glass lens.

Trims

- Die cast aluminum construction for strength and durability;
- Up to 40 degrees of continuously adjustable tilt with no center beam clipping, controlled by a drive screw for precise positioning;
- Fully adjustable rotational aiming, with locking screw;
- Patented sliding shade eliminates line-of-sight into the ceiling cavity or housing, regardless of tilt angle;
- Trim cover provides a beveled appearance in the desired finish, secured with ball catches for easy removal for aiming adjustment;
- Round adjustable trims feature stainless steel spring wings for tool-free installation into any position and easy twist-out removal for in-field servicing;
- Square adjustable trims feature swing-out screw clamp mounting for precise alignment;
- Suitable for ceiling thicknesses from 0.5"-1.5";
- Delivered lumens are maintained through the full range of ceiling thicknesses;
- Available in powder coated satin white and satin black, and painted satin aluminum finishes.

Ceiling Applications

- Available in flanged, flangeless mud-in, and flangeless millwork, all in die cast aluminum;
- Flanged ceiling application features a tapered Feather Edge™ profile for a minimal appearance and provides a universal solution for all ceiling types. Available in trim coordinating finishes of satin black, satin aluminum, and field-paintable satin white;
- Flangeless mud-in ceiling application securely attaches to the housing or remodel ceiling, providing a flush and seamless appearance in gypsum and plaster ceilings with no warping or cracking. Available in field-paintable satin white finish;
- Flangeless millwork ceiling application provides a flangeless appearance in wood or stone ceilings. Available in trim coordinating finishes of satin black, satin aluminum, and field-paintable satin white.

Housings/Installation

- IC Housing also available in shallow plenum configuration;
- Patented two-part junction box and driver housing is included for remodel and new construction installations and allows for easy servicing and inspection from below the ceiling;
- Junction box has two ½" trade size knockouts and is rated for through-wiring of 12AWG conductors;
- New Construction Pan and IC Housings feature a patented field-changeable adapter door, allowing the same pan or housing to be converted to a different size (2", 3", or 4") or shape (round or square) in the field, up until the ceiling is installed;
- Square adapter doors feature a reject collar that is adjustable 90 degrees and has gunsight notches for precise alignment;
- New Construction Pan and IC Housings include adjustable hanger bars for installation to wood joists or T-grid suspended ceilings;
- Adjustable height butterfly brackets are available for mounting (new construction, non-shallow only) with the available C-channel, the included adjustable hanger bars, EMT, or furring strip.

Ratings/Certifications

- ETL listed to US and Canadian standards (UL1598) for damp locations;
- Meets CA Title 24 Part 6 JA8 High Efficacy LED and Chicago plenum requirements when used with standard driver and IC housing;
- 5 year limited warranty (see website for terms).



How to Order

Build your item numbers for the rough-in section (includes housing and driver) and the finishing section (includes LED light engine, trim, optic, and ceiling application) plus any accessories ordered separately.

Made-to-Order — Program ordering information

ROUGH-IN SECTION ITEM NUMBER

Specify from left to right, e.g. 25RN3RICCPSTANFSH00V1

25RN3										V1
Family	Aperture Shape	Mounting	Driver	Driver Location	Light Source /Power	Butterfly Brackets	Flangeless Mud-In	Version		
25RN3 Intervals Recessed Rough-In Section	R Round	ICCP ⁽¹⁾ New Construction IC Housing, Chicago Plenum	STAN ERP, 120/277V, Forward Phase, Reverse Phase, and 0-10V Dimming to 1%	F Fixture	SH Static White High Output (20W)	0 No	0 No	V1 Version 1		
	S Square	ICSP ⁽²⁾ New Construction IC Housing, Shallow Plenum	PEQ0 Lutron Hi-lume Premier, 120-277V, EcoSystem Dimming to 0.1% with Soft-on and Fade-to-Black	R* Remote	SL Static White Low Output (14W)	1 ⁽⁵⁾ Yes (Included)	1 Yes (Included)			
		NCPA New Construction Pan	DPOE ^(3,4) Power Over Ethernet							
		RMDL Remodel								

*Only necessary if the driver will be physically removed from the luminaire.

FINISHING SECTION ITEM NUMBER

Specify from left to right, e.g. 25FN3RADSTSW3000NSCFSWV1

25FN3			AD	ST						V1	
Family	Aperture Shape	Plenum Depth**	Trim Style	Regress	Trim Finish	CCT	Optic	Ceiling Application	Ceiling Application Finish	Version	Optical Accessories*
25FN3 Intervals Recessed Finishing Section	R Round	SP Shallow Plenum	AD Adjustable	ST Standard	SW ⁽⁶⁾ ○ Satin White	2200 ⁽⁷⁾ 2200K	NS 15° Narrow Spot	CF Flanged	SW ⁽¹¹⁾ ○ Satin White	V1 Version 1	HEX Honeycomb Louver
	S Square				SK ● Satin Black	2700 ⁽⁸⁾ 2700K	MS 27° Medium Spot	MW Flangeless Millwork	SK ● Satin Black		LIN Linear Spread Lens
					SA ⁽⁶⁾ ● Satin Aluminum	3000 ⁽⁸⁾ 3000K	WS 39° Wide Spot	NA ^(9,10) Flangeless Mud-In	SA ● Satin Aluminum		SOL Microprism Lens
						3500 ⁽⁸⁾ 3500K					CLR Clear Glass Lens
		**Skip if not Shallow Plenum				4000 ⁽⁸⁾ 4000K					* Blank if none; up to two options. HEX (if second accessory is not specified, will include Clear Glass Lens)

(1) Non-IC Rated for Driver Location F with Driver PEQ0 and Light Source/Power SH
 (2) Requires Light Source/Power SL and Select Plenum Depth SP in the finishing section table
 (3) Requires Driver Location R
 (4) Special order, contact factory; requires enclosure provided by others
 (5) Requires Mounting ICCP or NCPA
 (6) Includes Satin Black interior
 (7) Minimum 80CRI
 (8) Minimum 90CRI
 (9) Select Flangeless Mud-In 1 in the rough-in section table, or order separately from the accessories table
 (10) Requires Ceiling Application Finish SW
 (11) Field-Paintable

Accessories ordering information

ACCESSORIES ITEM NUMBERS

(e.g. 25ZCCH27)

Family	Style	Style/Finish (if applicable)
25Z		
25Z Intervals Recessed Accessories	BTF Butterfly Bracket Set (set of 2)	27 27" C-Channel Set
	CCH C-Channel (set of 2, requires butterfly brackets)	52 52" C-Channel Set
	LWP 20' Luminaire Whip for remote driver	SW Satin White Goof Plate
	RGPO3 3" Round Goof Plate	SK Satin Black Goof Plate
	SGPO3 3" Square Goof Plate	SA Satin Aluminum Goof Plate
	HEX03 3" Honeycomb Louver	
	LIN03 3" Linear Spread Lens	
	SOL03 3" Microprism Lens	
	CLR03 3" Clear Glass Lens	

ADDITIONAL OPTICS

(e.g. 25O3NS)

Family	Beam Angle
25O3	
25O3 Intervals Recessed Optics	NS 15° Narrow Spot
	MS 27° Medium Spot
	WS 39° Wide Spot

ADDITIONAL CEILING APPLICATIONS

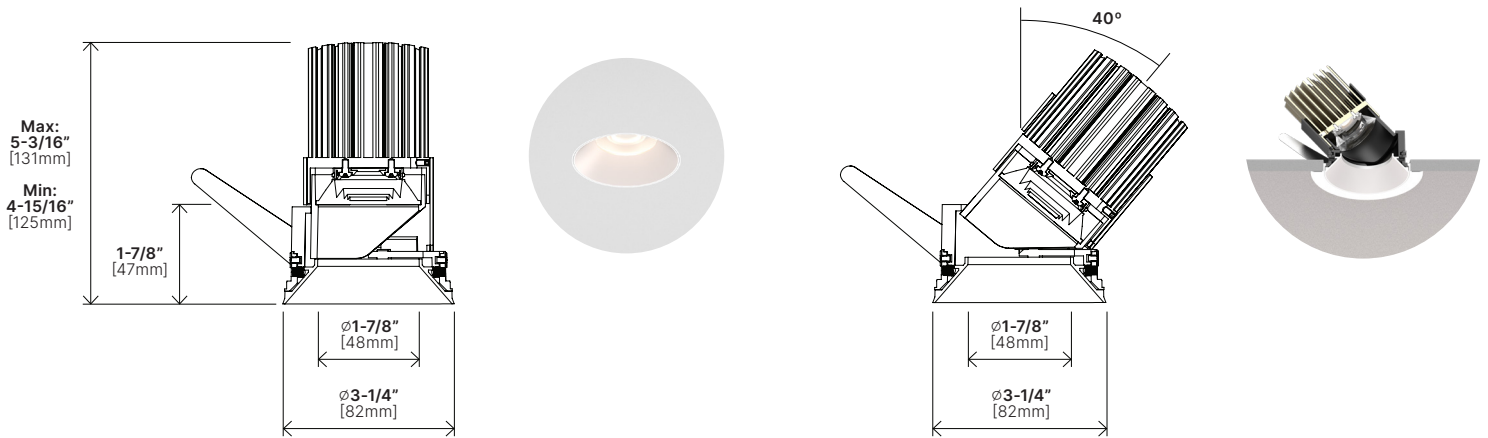
(e.g. 25F3RFMSWV2)

Family	Aperture Shape	Style	Finish	Version*
25F3				
25F3 Intervals Recessed Ceiling Application	R Round	CF Ceiling Flange	SW Satin White	V2 Version 2
	S Square	FM Flangeless Mud-In	SK ⁽¹⁾ Satin Black	
		MW Flangeless Millwork	SA ⁽¹⁾ Satin Aluminum	

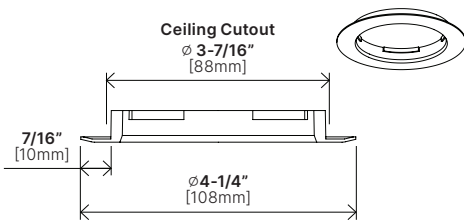
(1) Not available for Flangeless Mud-in
*Only applies to Flangeless Mud-In

Dimensions - Round 3" Adjustable

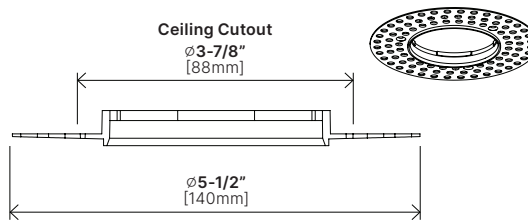
Round Adjustable Trim



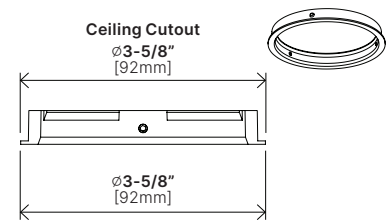
Round Ceiling Flange



Round Flangeless Mud-in Plate

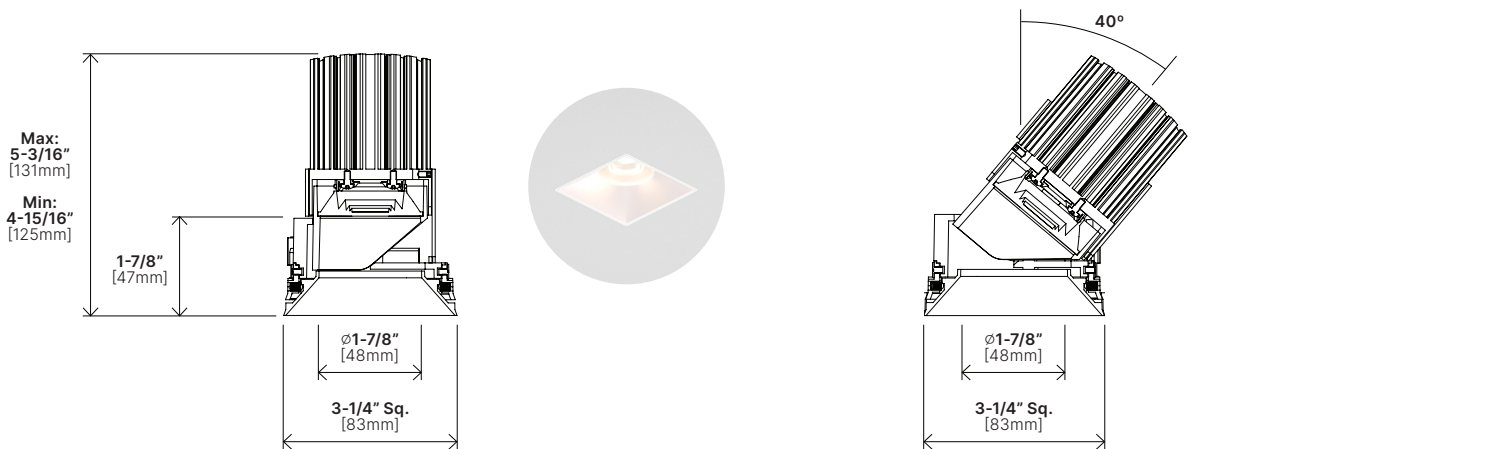


Round Flangeless Millwork Collar

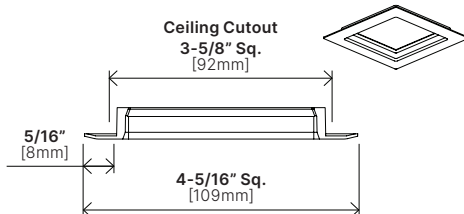


Dimensions - Square 3" Adjustable

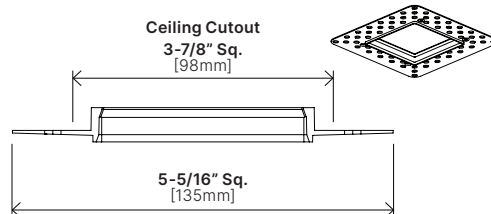
Square Adjustable Trim



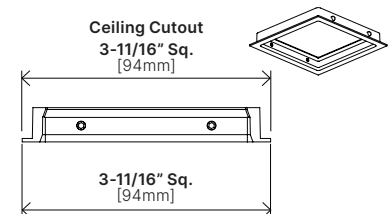
Square Ceiling Flange



Square Flangeless Mud-in Plate

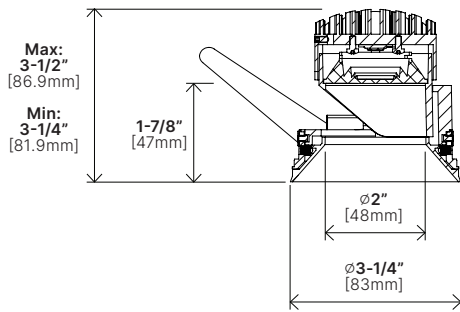


Square Flangeless Millwork Collar

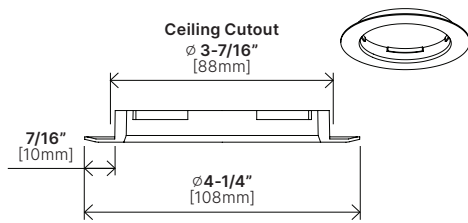


Dimensions - Round 3" Adjustable Shallow Plenum

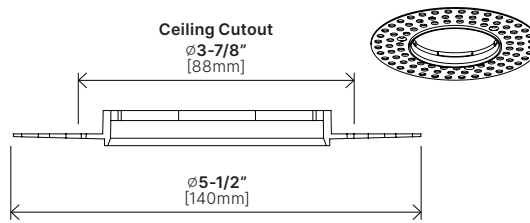
Round Adjustable Trim



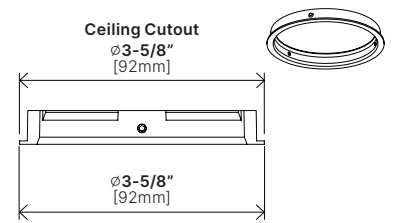
Round Ceiling Flange



Round Flangeless Mud-in Plate

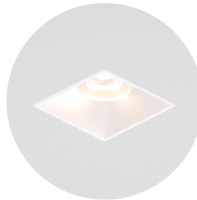
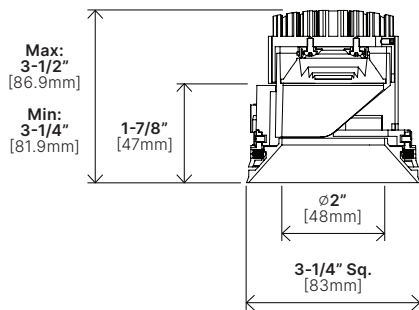


Round Flangeless Millwork Collar

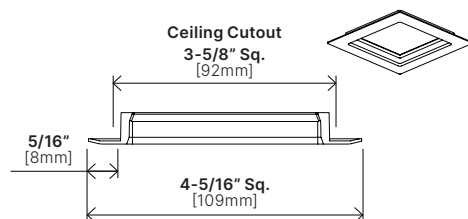


Dimensions - Square 3" Adjustable Shallow Plenum

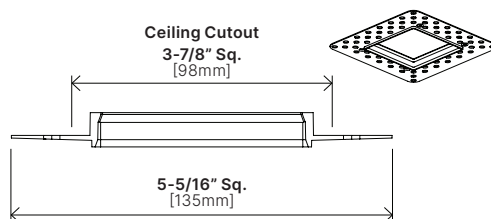
Square Adjustable Trim



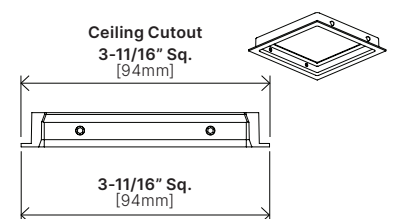
Square Ceiling Flange



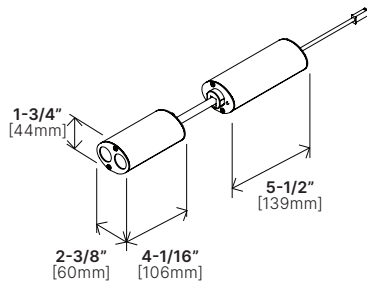
Square Flangeless Mud-in Plate



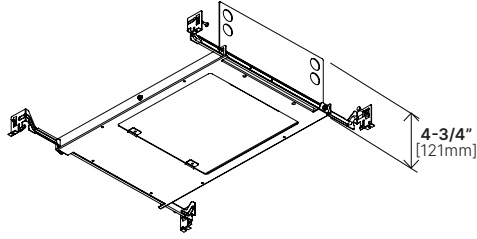
Square Flangeless Millwork Collar



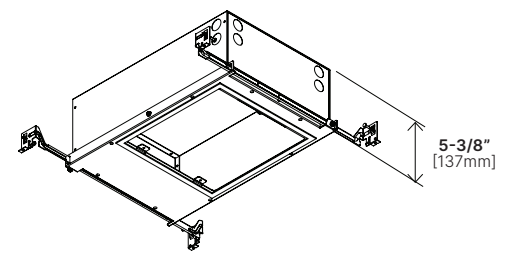
Driver Housing



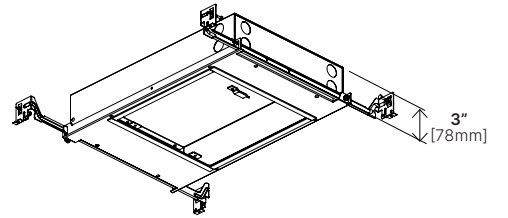
New Construction Pan



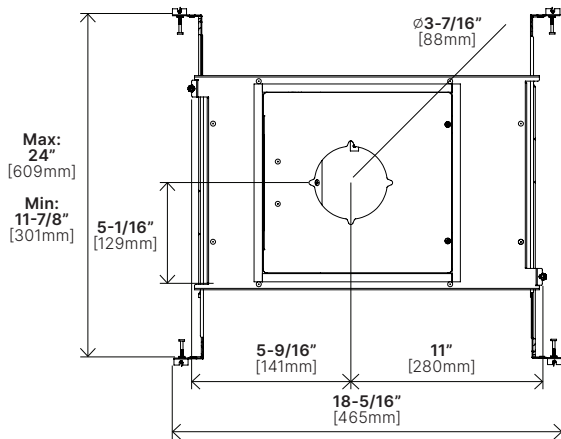
IC Housing



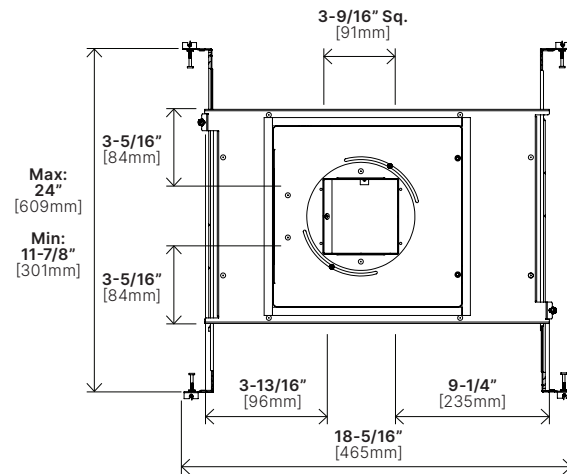
Shallow Plenum IC Housing



Housing / Pan with 3" Round Adapter Door



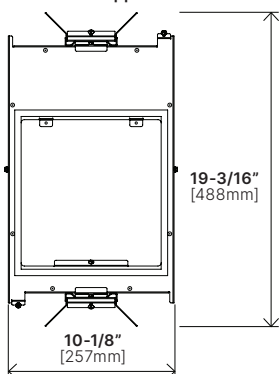
Housing / Pan with 3" Square Adapter Door



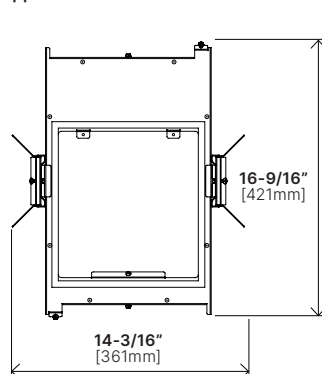
Housing / Pan IC Housing with Adjustable Butterfly Brackets (Not available for Shallow Plenum)

Adjustable Butterfly Brackets

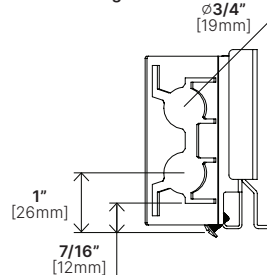
Front and Back Application



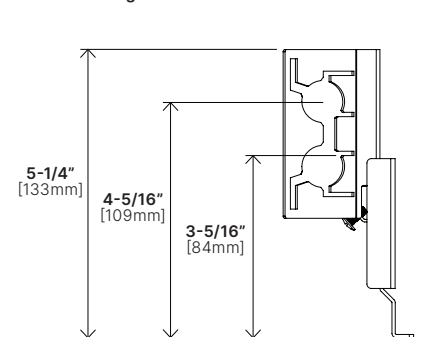
Side Application



Minimum Height



Maximum Height

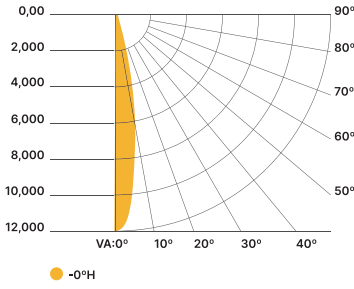


Indoor Photometric Report

3" Recessed Downlight Narrow Spot

Description: 3 inch Round Adjustable Trim 3000K Narrow Spot | Lamp Output: 1 lamp, rated Lumens/lamp: 1277
 Input Wattage: 20.9278 Max Cd: 11,949.8 at horizontal: 0°, Vertical: 0° | Spacing Criterion: @ 0 = 0.28/ @ 90 = 0.26 | High Output

Polar Candela



Illuminance at a distance

Height (ft)	Center Beam Footcandle	Beam Spread (ft)		Field Spread (ft)	
		Horizontal	Vertical	Horizontal	Vertical
8.00	186.72 fc	2.1	2.1	4.6	4.6
10.00	119.50 fc	2.6	2.7	5.7	5.8
12.00	82.98 fc	3.2	3.2	6.9	7.0
14.00	60.97 fc	3.7	3.7	8.0	8.1
16.00	46.68 fc	4.2	4.2	9.2	9.3
		Beam Angle		Field Angle	
		15.0°	15.1°	32.0°	32.4°

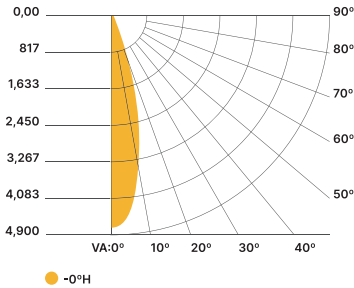
Candela table - Type C

	0	45	90	135	180	225	270	315	360
0	11950	11950	11950	11950	11950	11950	11950	11950	11950
5	9081	9068	8746	8011	7998	7897	8403	9051	9081
15	1855	1775	1562	1325	1287	1287	1436	1753	1855
25	243	243	236	231	232	228	227	237	243
35	39	40	42	44	43	43	43	42	39
45	7	8	9	9	9	9	8	8	7
55	3	3	4	4	4	4	4	3	3
65	2	2	2	3	3	3	2	2	2
75	2	2	2	2	2	2	2	2	2
85	0	0	0	0	0	0	0	0	0
90	0	0	0	0	0	0	0	0	0

3" Recessed Downlight Medium Spot

Description: 3 inch Round Adjustable Trim 3000K Medium Spot | Lamp Output: 1 lamp, rated Lumens/lamp: 1214.5
 Input Wattage: 21.121 Max Cd: 4,807.3 at horizontal: 270°, Vertical: 1° | Spacing Criterion: @ 0 = 0.47/ @ 90 = 0.45 | High Output

Polar Candela



Illuminance at a distance

Height (ft)	Center Beam Footcandle	Beam Spread (ft)		Field Spread (ft)	
		Horizontal	Vertical	Horizontal	Vertical
8.00	74.97 fc	3.8	3.8	7.2	7.3
10.00	47.98 fc	4.8	4.8	9.0	9.1
12.00	33.32 fc	5.7	5.8	10.9	10.9
14.00	24.48 fc	6.7	6.7	12.7	12.7
16.00	18.74 fc	7.7	7.7	14.5	14.5
		Beam Angle		Field Angle	
		26.9°	27.0°	48.7°	48.9°

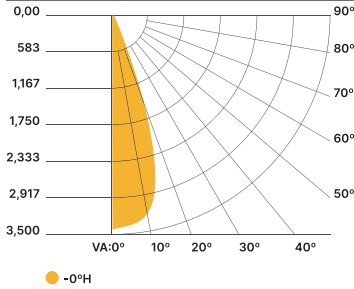
Candela table - Type C

	0	45	90	135	180	225	270	315	360
0	4798	4798	4798	4798	4798	4798	4798	4798	4798
5	4428	4377	4373	4307	4307	4318	4409	4461	4428
15	2095	2001	1913	1854	1935	1958	2055	2126	2095
25	435	417	397	400	426	438	451	452	435
35	80	78	78	80	83	87	90	87	80
45	14	14	14	15	16	18	19	16	14
55	3	3	4	4	4	4	4	3	3
65	3	3	3	3	3	3	3	3	3
75	0	0	0	0	0	1	1	0	0
85	0	0	0	0	0	0	0	0	0
90	0	0	0	0	0	0	0	0	0

3" Recessed Downlight Wide Spot

Description: 3 inch Round Adjustable Trim 3000K Wide Spot | Lamp Output: 1 lamp, rated Lumens/lamp: 1419.1
 Input Wattage: 21.115 Max Cd: 3,477.8 at horizontal: 225°, Vertical: 4° | Spacing Criterion: @ 0 = 0.67/ @ 90 = 0.66 | High Output

Polar Candela



Illuminance at a distance

Height (ft)	Center Beam Footcandle	Beam Spread (ft)		Field Spread (ft)	
		Horizontal	Vertical	Horizontal	Vertical
8.00	53.07 fc	5.6	5.6	8.5	8.5
10.00	33.96 fc	6.9	7.0	10.6	10.6
12.00	23.59 fc	8.3	8.4	12.7	12.7
14.00	17.33 fc	9.7	9.8	14.9	14.8
16.00	13.27 fc	11.1	11.2	17.0	16.9
		Beam Angle		Field Angle	
		38.3°	38.5°	55.9°	55.8°

Candela table - Type C

	0	45	90	135	180	225	270	315	360
0	3396	3396	3396	3396	3396	3396	3396	3396	3396
5	3361	3351	3382	3425	3464	3469	3462	3410	3361
15	2645	2526	2482	2485	2632	2679	2714	2713	2645
25	745	691	631	614	714	735	776	814	745
35	59	57	55	57	64	67	70	71	59
45	9	9	9	10	12	13	13	11	9
55	3	3	3	3	4	4	4	3	3
65	2	2	2	2	3	3	3	2	2
75	0	0	0	0	0	0	0	0	1
85	0	0	0	0	0	0	0	0	0
90	0	0	0	0	0	0	0	0	0