

Notes



Fixture Type

Project

Location

Model Number

Description

Intervals Recessed 3" Downlights offer specification grade performance and features, in a completely modular and field-configurable system;

Every light engine integrates with any of the trims, and every trim works with all of the ceiling application and housing options.*

*Shallow Plenum Restricted

Delivered Lumens

Up to 703Lm

Watts

13W

Optics (Field Changeable)

15° / 25° / 32°

Trim Options

Round

Bevel

Square

Bevel

Color Temperature



Min. 95CRI

Available Finishes

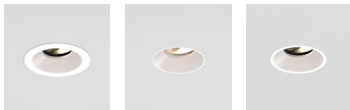


Satin Black

Satin Aluminum

Satin White

Ceiling Applications



Flanged

Mud-in

Millwork

Light Engine

- Up to 703 delivered lumens, 13W, field-replaceable
- Cold forged aluminum with anodized champagne finish provides a lightweight heat sink with excellent thermal performance in a compact size;
- LTF chip-on-board LED with warm dimming from 3000K to 1800K, min. 95 CRI, and 3-Step color binning.

Driver

- Standard driver is field-replaceable and accessible from below the ceiling;
- 120/277VAC input;
- 1% dimming with forward/reverse phase (at 120VAC) and 0-10V dimming controls;
- Multiple drivers with additional dimming protocols available.

Optics

- Field-changeable TIR optics with a smooth beam, no softening lens required;
- Available in narrow spot (15°), medium spot (25°), and wide spot (32°) distributions;
- Up to 2 optical accessories can be used without any extra holder, to further refine lighting effects. Available optical accessories include honeycomb louver, microprism lens, linear spread lens, and clear glass lens.

Trims

- Die cast aluminum construction for strength and durability;
- Up to 40 degrees of continuously adjustable tilt with no center beam clipping, controlled by a drive screw for precise positioning;
- Fully adjustable rotational aiming, with locking screw;
- Patented sliding shade eliminates line-of-sight into the ceiling cavity or housing, regardless of tilt angle;
- Trim cover provides a beveled appearance in the desired finish, secured with ball catches for easy removal for aiming adjustment;
- Round adjustable trims feature stainless steel spring wings for tool-free installation into any position and easy twist-out removal for in-field servicing;
- Square adjustable trims feature swing-out screw clamp mounting for precise alignment;
- Suitable for ceiling thicknesses from 0.5"-1.5";
- Delivered lumens are maintained through the full range of ceiling thicknesses;
- Available in powder coated satin white and satin black, and painted satin aluminum finishes.

Ceiling Applications

- Available in flanged, flangeless mud-in, and flangeless millwork, all in die cast aluminum;
- Flanged ceiling application features a tapered Feather Edge™ profile for a minimal appearance and provides a universal solution for all ceiling types. Available in trim coordinating finishes of satin black, satin aluminum, and field-paintable satin white;
- Flangeless mud-in ceiling application securely attaches to the housing or remodel ceiling, providing a flush and seamless appearance in gypsum and plaster ceilings with no warping or cracking. Available in field-paintable satin white finish;
- Flangeless millwork ceiling application provides a flangeless appearance in wood or stone ceilings. Available in trim coordinating finishes of satin black, satin aluminum, and field-paintable satin white.

Housings/Installation

- IC Housing also available in shallow plenum configuration;
- Patented two-part junction box and driver housing is included for remodel and new construction installations and allows for easy servicing and inspection from below the ceiling;
- Junction box has two ½" trade size knockouts and is rated for through-wiring of 12AWG conductors;
- New Construction Pan and IC Housings feature a patented field-changeable adapter door, allowing the same pan or housing to be converted to a different size (2", 3", or 4") or shape (round or square) in the field, up until the ceiling is installed;
- Square adapter doors feature a reject collar that is adjustable 90 degrees and has gunsight notches for precise alignment;
- New Construction Pan and IC Housings include adjustable hanger bars for installation to wood joists or T-grid suspended ceilings;
- Adjustable height butterfly brackets are available for mounting (new construction, non-shallow only) with the available C-channel, the included adjustable hanger bars, EMT, or furring strip.

Ratings/Certifications

- ETL listed to US and Canadian standards (UL1598) for damp locations;
- Meets CA Title 24 Part 6 JA8 High Efficacy LED and Chicago plenum requirements when used with standard driver and IC housing;
- 5 year limited warranty (see website for terms).



How to Order

Build your item numbers for the rough-in section (includes housing and driver) and the finishing section (includes LED light engine, trim, optic, and ceiling application) plus any accessories ordered separately.

Made-to-Order — Program ordering information

ROUGH-IN SECTION ITEM NUMBER

Specify from left to right, e.g. 25RN3RICCPSTANFWD00V1

25RN3					WD				V1
Family	Aperture Shape	Mounting	Driver	Driver Location	Light Source /Power	Butterfly Brackets	Flangeless Mud-In	Version	
25RN3 Intervals Recessed Rough-In Section	R Round	ICCP New Construction IC Housing, Chicago Plenum	STAN ERP, 120/277V, Forward Phase, Reverse Phase, and 0-10V Dimming to 1%	F Fixture	WD Warm Dimming (13W)	0 No	0 No	V1 Version 1	
	S Square	ICSP ⁽¹⁾ New Construction IC Housing, Shallow Plenum	PEQO Lutron Hi-lume Premier, 120-277V, EcoSystem Dimming to 0.1% with Soft-on and Fade-to-Black	R* Remote		1 ⁽⁴⁾ Yes (Included)	1 Yes (Included)		
		NCPA New Construction Pan	DPOE ^(2,3) Power Over Ethernet						
		RMDL Remodel							

*Only necessary if the driver will be physically removed from the luminaire.

FINISHING SECTION ITEM NUMBER

Specify from left to right, e.g. 25FN3RADSTSW3018NSCFSWV1

25FN3			AD	ST		3018				V1	
Family	Aperture Shape	Plenum Depth**	Trim Style	Regress	Trim Finish	CCT	Optic	Ceiling Application	Ceiling Application Finish	Version	Optical Accessories*
25FN3 Intervals Recessed Finishing Section	R Round	SP Shallow Plenum	AD Adjustable	ST Standard	SW ⁽⁵⁾ ○ Satin White	3018 3000K-1800K	NS 15° Narrow Spot	CF Flanged	SW ⁽⁶⁾ ○ Satin White	V1 Version 1	HEX Honeycomb Louver
	S Square				SK ● Satin Black		MS 25° Medium Spot	MW Flangeless Millwork	SK ● Satin Black		LIN Linear Spread Lens
					SA ⁽⁵⁾ ● Satin Aluminum		WS 32° Wide Spot	NA ^(6,7) Flangeless Mud-In	SA ● Satin Aluminum		SOL Microprism Lens
											CLR Clear Glass Lens

**Skip if not Shallow Plenum

* Blank if none; up to two options. HEX (if second accessory is not specified, will include Clear Glass Lens)

- (1) Requires selecting Plenum Depth SP in the finishing section table
- (2) Requires Driver Location R
- (3) Special order, contact factory; requires enclosure provided by others
- (4) Requires Mounting ICCP or NCPA
- (5) Includes Satin Black interior
- (6) Select Flangeless Mud-In 1 in the rough-in section table, or order separately from the accessories table
- (7) Requires Ceiling Application Finish SW
- (8) Field-Paintable

Accessories ordering information

ACCESSORIES ITEM NUMBERS

(e.g. 25ZCCH27)

Family	Style	Style/Finish (if applicable)
25Z		
25Z Intervals Recessed Accessories	BTF Butterfly Bracket Set (set of 2)	27 27" C-Channel Set
	CCH C-Channel (set of 2, requires butterfly brackets)	52 52" C-Channel Set
	LWP 20' Luminaire Whip for remote driver	SW Satin White Goof Plate
	RGPO3 3" Round Goof Plate	SK Satin Black Goof Plate
	SGPO3 3" Square Goof Plate	SA Satin Aluminum Goof Plate
	HEX03 3" Honeycomb Louver	
	LIN03 3" Linear Spread Lens	
	SOL03 3" Microprism Lens	
	CLR03 3" Clear Glass Lens	

ADDITIONAL OPTICS

(e.g. 25O3NS)

Family	Beam Angle
25O3	
25O3 Intervals Recessed Optics	NS 15° Narrow Spot
	MS 25° Medium Spot
	WS 32° Wide Spot

ADDITIONAL CEILING APPLICATIONS

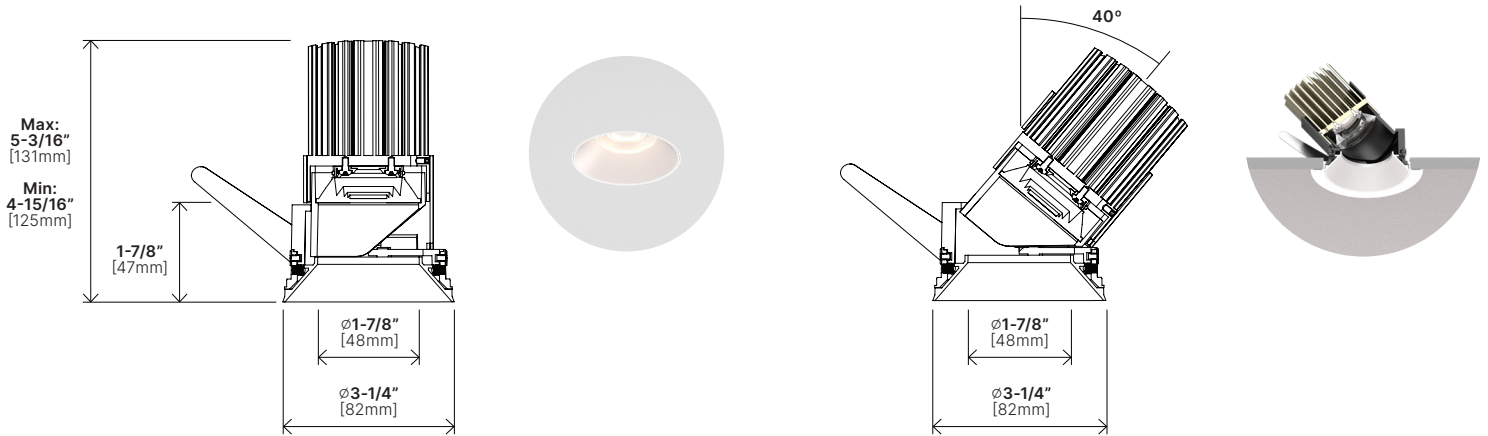
(e.g. 25F3RFMSWV2)

Family	Aperture Shape	Style	Finish	Version*
25F3				
25F3 Intervals Recessed Ceiling Application	R Round	CF Ceiling Flange	SW Satin White	V2 Version 2
	S Square	FM Flangeless Mud-In	SK ⁽¹⁾ Satin Black	
		MW Flangeless Millwork	SA ⁽¹⁾ Satin Aluminum	

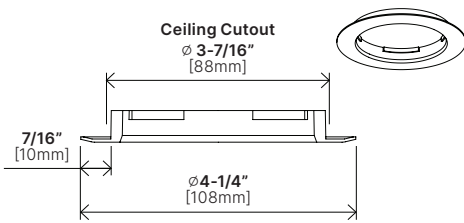
(1) Not available for Flangeless Mud-in
*Only applies to Flangeless Mud-In

Dimensions - Round 3" Adjustable

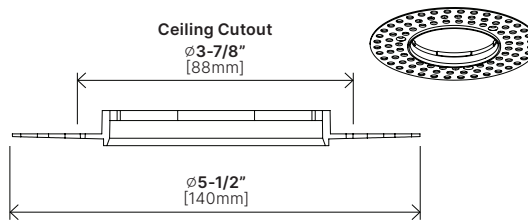
Round Adjustable Trim



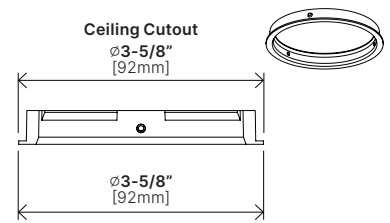
Round Ceiling Flange



Round Flangeless Mud-in Plate

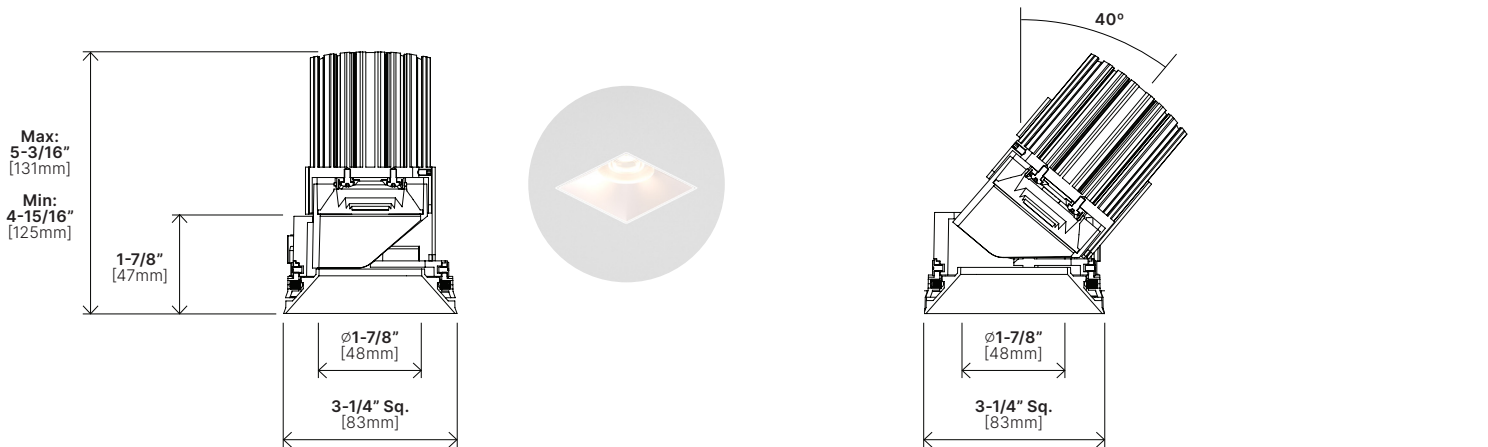


Round Flangeless Millwork Collar

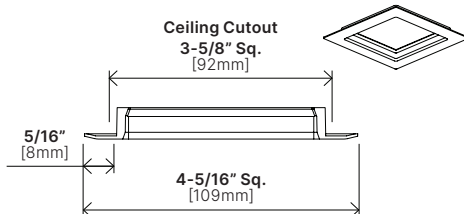


Dimensions - Square 3" Adjustable

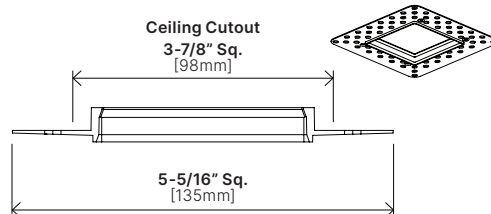
Square Adjustable Trim



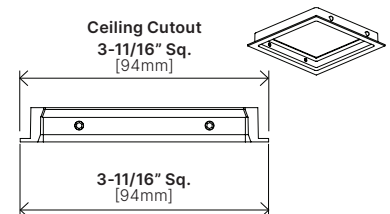
Square Ceiling Flange



Square Flangeless Mud-in Plate

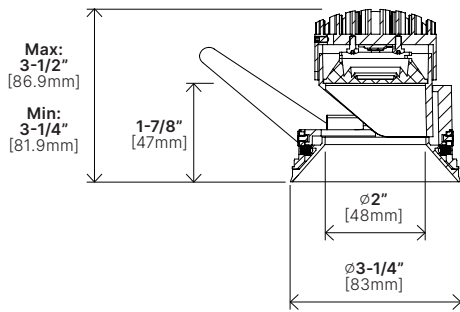


Square Flangeless Millwork Collar

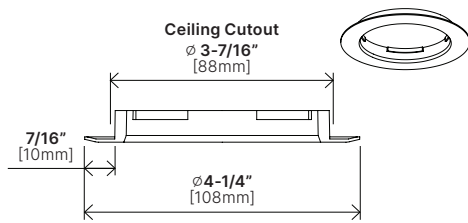


Dimensions - Round 3" Adjustable Shallow Plenum

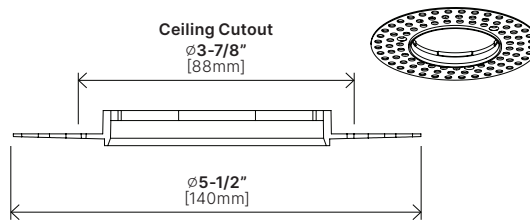
Round Adjustable Trim



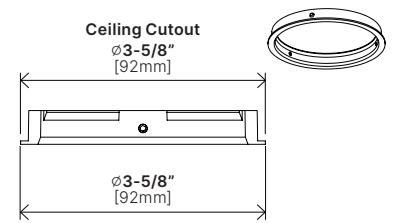
Round Ceiling Flange



Round Flangeless Mud-in Plate

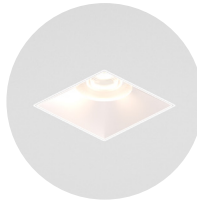
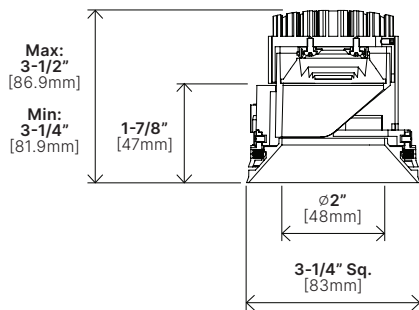


Round Flangeless Millwork Collar

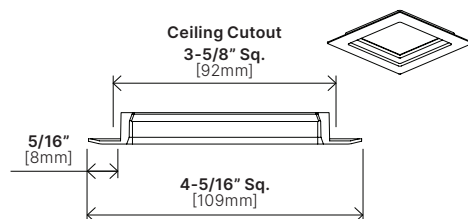


Dimensions - Square 3" Adjustable Shallow Plenum

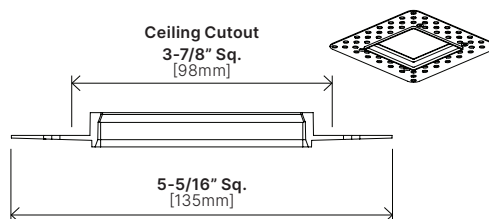
Square Adjustable Trim



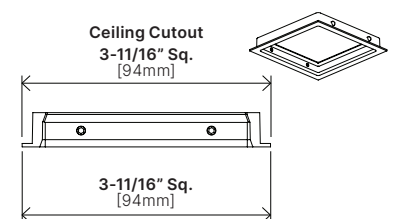
Square Ceiling Flange



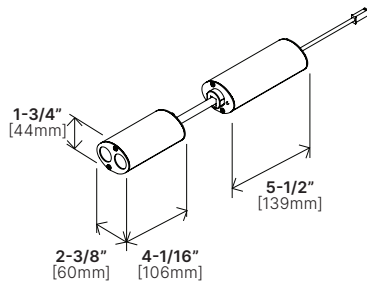
Square Flangeless Mud-in Plate



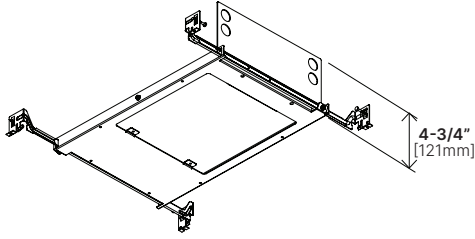
Square Flangeless Millwork Collar



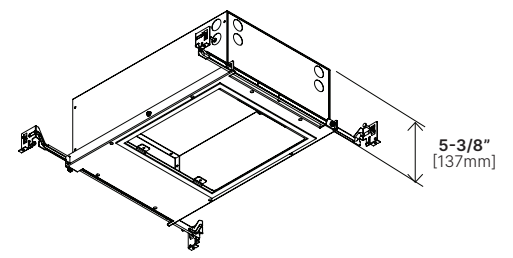
Driver Housing



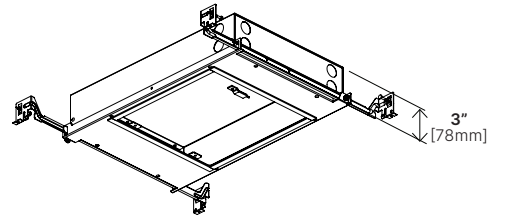
New Construction Pan



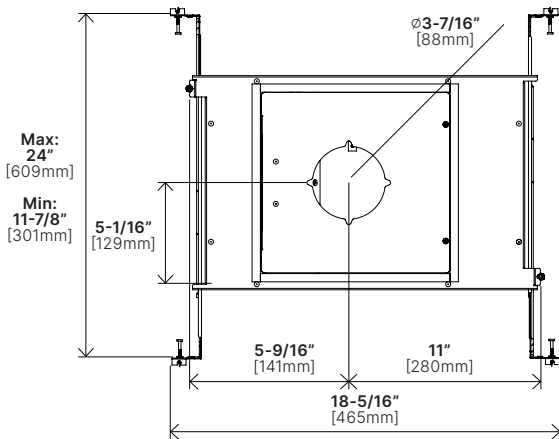
IC Housing



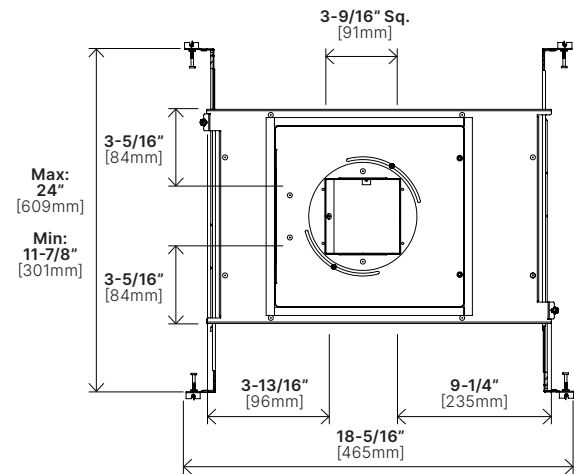
Shallow Plenum IC Housing



Housing / Pan with 3" Round Adapter Door



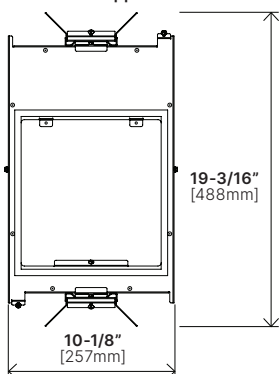
Housing / Pan with 3" Square Adapter Door



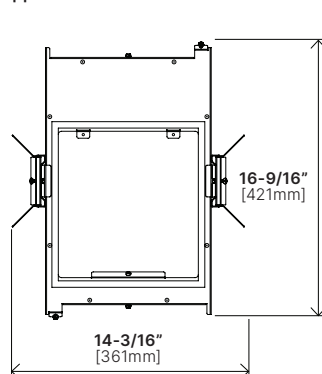
Housing / Pan IC Housing with Adjustable Butterfly Brackets (Not available for Shallow Plenum)

Adjustable Butterfly Brackets

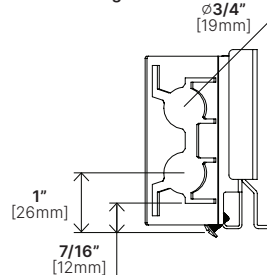
Front and Back Application



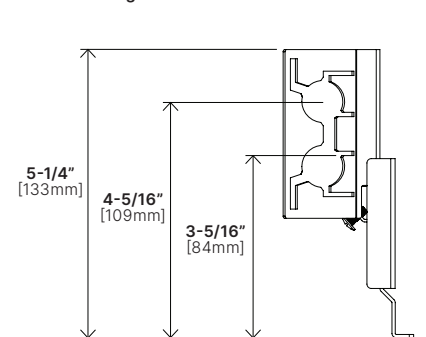
Side Application



Minimum Height



Maximum Height

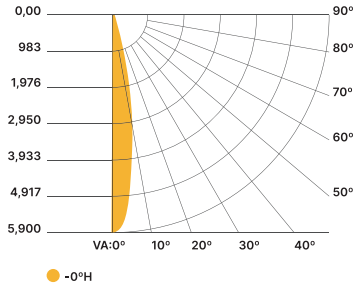


Indoor Photometric Report

3" Recessed Downlight Narrow Spot 15°

Description: 3 inch Round Adjustable Trim Warm Dimming Narrow Spot | Lamp Output: 1 lamp, rated Lumens/lamp: 629.1
Input Wattage: 13.3464 Max Cd: 5,840.3 at horizontal: 135°, Vertical: 2° | Spacing Criterion: @ 0 = 0.22/ @ 90 = 0.26 | High Output

Polar Candela



Illuminance at a distance

Height (ft)	Center Beam	Beam Spread (ft)		Field Spread (ft)	
	Footcandle	Horizontal	Vertical	Horizontal	Vertical
8.00	88.14 fc	2.1	2.2	4.6	4.8
10.00	56.41 fc	2.7	2.7	5.7	6.0
12.00	39.18 fc	3.2	3.3	6.9	7.2
14.00	28.78 fc	3.7	3.8	8.0	8.4
16.00	22.04 fc	4.3	4.4	9.1	9.6
		Beam Angle		Field Angle	
		15.2°	15.6°	31.9°	33.3°

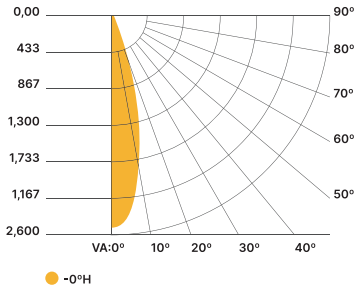
Candela table - Type C

	0	45	90	135	180	225	270	315	360
0	5641	5641	5641	5641	5641	5641	5641	5641	5641
5	3393	3968	4501	5130	5010	4018	3567	3278	3393
15	531	727	920	1202	1125	670	494	450	531
25	75	101	127	168	160	104	81	70	75
35	19	25	29	35	32	24	20	19	19
45	6	7	8	8	7	6	6	5	6
55	2	2	2	2	2	2	2	2	2
65	2	2	2	2	2	2	2	2	2
75	0	0	0	1	0	0	0	0	0
85	0	0	0	0	0	0	0	0	0
90	0	0	0	0	0	0	0	0	0

3" Recessed Downlight Medium Spot 25°

Description: 3 inch Round Adjustable Trim Warm Dimming Medium Spot | Lamp Output: 1 lamp, rated Lumens/lamp: 597.1
Input Wattage: 13.317 Max Cd: 2,563.7 at horizontal: 135°, Vertical: 2° | Spacing Criterion: @ 0 = 0.37/ @ 90 = 0.42 | High Output

Polar Candela



Illuminance at a distance

Height (ft)	Center Beam	Beam Spread (ft)		Field Spread (ft)	
	Footcandle	Horizontal	Vertical	Horizontal	Vertical
8.00	39.45 fc	3.5	3.6	6.9	7.0
10.00	25.25 fc	4.4	4.5	8.6	8.8
12.00	17.53 fc	5.3	5.4	10.3	10.5
14.00	12.88 fc	6.1	6.3	12.0	12.3
16.00	9.86 fc	7.0	7.2	13.7	14.0
		Beam Angle		Field Angle	
		24.7°	25.5°	46.5°	47.3°

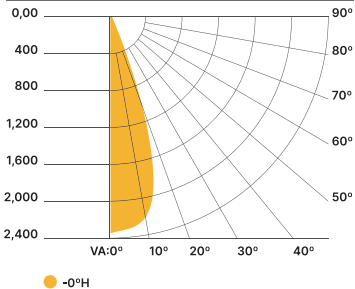
Candela table - Type C

	0	45	90	135	180	225	270	315	360
0	2525	2525	2525	2525	2525	2525	2525	2525	2525
5	2144	2321	2447	2487	2431	2245	2115	2075	2144
15	714	922	1152	1314	1206	847	669	645	714
25	151	204	262	308	271	172	135	130	151
35	34	44	55	61	52	35	30	30	34
45	8	11	14	14	10	7	7	7	8
55	3	3	2	2	2	2	2	2	3
65	2	2	2	2	2	2	2	2	2
75	0	0	1	1	0	0	0	0	0
85	0	0	0	0	0	0	0	0	0
90	0	0	0	0	0	0	0	0	0

3" Recessed Downlight Wide Spot 32°

Description: 3 inch Round Adjustable Trim Warm Dimming Wide Spot | Lamp Output: 1 lamp, rated Lumens/lamp: 703
Input Wattage: 13.3184 Max Cd: 2,304.7 at horizontal: 90°, Vertical: 6° | Spacing Criterion: @ 0 = 0.53/ @ 90 = 0.55 | High Output

Polar Candela



Illuminance at a distance

Height (ft)	Center Beam	Beam Spread (ft)		Field Spread (ft)	
	Footcandle	Horizontal	Vertical	Horizontal	Vertical
8.00	33.95 fc	4.6	4.6	7.6	7.7
10.00	21.73 fc	5.7	5.8	9.4	9.7
12.00	15.09 fc	6.8	6.9	11.3	11.6
14.00	11.08 fc	8.0	8.1	13.2	13.5
16.00	8.49 fc	9.1	9.2	15.1	15.5
		Beam Angle		Field Angle	
		31.8°	32.2°	50.5°	51.6°

Candela table - Type C

	0	45	90	135	180	225	270	315	360
0	2172	2172	2172	2172	2172	2172	2172	2172	2172
5	2085	2242	2298	2237	2083	1896	1836	1917	2085
15	1178	1686	1922	1730	1221	775	650	795	1178
25	221	500	662	513	242	99	77	101	221
35	25	47	66	47	26	17	15	17	25
45	5	12	15	13	7	3	3	3	5
55	2	2	3	2	2	2	2	1	2
65	1	1	2	2	1	1	1	1	1
75	0	0	1	1	0	0	0	0	0
85	0	0	0	0	0	0	0	0	0
90	0	0	0	0	0	0	0	0	0