

Notes



Fixture Type

Project

Location

Model Number

Description

Intervals Recessed 4" Downlights offer specification grade performance and features, in a completely modular and field-configurable system;

Every light engine integrates with any of the trims, and every trim works with all of the ceiling application and housing options.

Delivered Lumens

High Output: Up to 2,490Lm
Low Output: Up to 1,925Lm

Watts

High Output: 29W
Low Output: 21W

Optics (Field Changeable)

19° / 24° / 39° / 60°

Trim Options

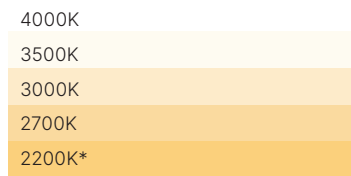
Round

Bevel; Pinhole

Square

Bevel; Pinhole

Color Temperature



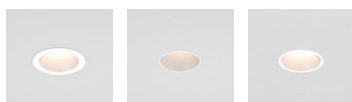
Min. 90CRI/ *Min.80CRI

Available Finishes



Satin Black Satin Aluminum Satin White

Ceiling Applications



Flanged Mud-in Millwork

Light Engine

- Up to 2,490 delivered lumens, 29W (high output) or up to 1,925 delivered lumens, 21W (low output), field-replaceable;
- Cold forged aluminum with anodized champagne finish provides a lightweight heat sink with excellent thermal performance in a compact size;
- Cree chip-on-board LED, available in 4000K, 3500K, 3000K, 2700K, and 2200K, with min. 90CRI and 2-Step EasyWhite color binning (min. 80CRI and 3-Step for 2200K);
- Same delivered lumens for every color temperature for easy specifying, no multipliers needed.

Driver

- Standard driver is field-replaceable and accessible from below the ceiling;
- 120/277VAC input;
- 1% dimming with forward/reverse phase (at 120VAC) and 0-10V dimming controls;
- Multiple drivers with additional dimming protocols available.

Optics

- Field-changeable TIR optics with a smooth beam, no softening lens required;
- Available in narrow spot (19°), medium spot (24°), wide spot (39°), and flood (60°) distributions;
- Up to 2 optical accessories can be used without any extra holder, to further refine lighting effects. Available optical accessories include honeycomb louver microprism lens, linear spread lens, and clear glass lens.

Trims

- Die cast aluminum construction for strength and durability;
- Patented spring-loaded connection to the light engine keeps the optic tight against the trim opening, providing a highly efficient and an inherently airtight fixture;
- Electro-coated steel spring wings allow for tool-free installation and servicing in ceiling thicknesses from 0.5"-1.5";
- Delivered lumens are maintained through the full range of ceiling thicknesses;
- Available in powder coated satin white and satin black, and painted satin aluminum finishes.

Ceiling Applications

- Available in flanged, flangeless mud-in, and flangeless millwork, all in die cast aluminum;
- Flanged ceiling application features a tapered Feather Edge™ profile for a minimal appearance and provides a universal solution for all ceiling types. Available in trim coordinating finishes of satin black, satin aluminum, and field-paintable satin white;
- Flangeless mud-in ceiling application securely attaches to the housing or remodel ceiling, providing a flush and seamless appearance in gypsum and plaster ceilings with no warping or cracking. Available in field-paintable satin white finish;
- Flangeless millwork ceiling application provides a flangeless appearance in wood or stone ceilings. Available in trim coordinating finishes of satin black, satin aluminum, and field-paintable satin white.

Housings/Installation

- Patented two-part junction box and driver housing is included for remodel and new construction installations and allows for easy servicing and inspection from below the ceiling;
- Junction box has two 1/2" trade size knockouts and is rated for through-wiring of 12AWG conductors;
- New Construction Pan and IC Housing feature a patented field-changeable adapter door, allowing the same pan or housing to be converted to a different size (2", 3", or 4") or shape (round or square) in the field, up until the ceiling is installed;
- Square adapter doors feature a reject collar that is adjustable 90 degrees and has gunsight notches for precise alignment;
- New Construction Pan and IC Housing include adjustable hanger bars for installation to wood joists or T-grid suspended ceilings;
- Adjustable height butterfly brackets are available for mounting with the available C-channel, the included adjustable hanger bars, EMT, or furring strip.

Ratings/Certifications

- ETL listed to US and Canadian standards (UL1598)
- Wet location rated. Optional shower gasket available for use with flanged ceiling application. Millwork ceiling application requires caulking for wet location rating, otherwise damp location rated;
- Meets CA Title 24 Part 6 JA8 High Efficacy LED and Chicago plenum requirements when used with standard driver and IC housing;
- 5 year limited warranty (see website for terms).



How to Order

Build your item numbers for the rough-in section (includes housing and driver) and the finishing section (includes LED light engine, trim, optic, and ceiling application), plus any accessories ordered separately.

Made-to-Order — Program ordering information

ROUGH-IN SECTION ITEM NUMBER

Specify from left to right, e.g. 25RN4RICCPSTANFSH00V1

25RN4									V1
Family	Aperture Shape	Mounting	Driver	Driver Location	Light Source /Power	Butterfly Brackets	Flangeless Mud-In	Version	
25RN4 Intervals Recessed Rough-In Section	R Round	ICCP ⁽¹⁾ New Construction IC Housing, Chicago Plenum	STAN ERP, 120/277V, Forward Phase, Reverse Phase, and 0-10V Dimming to 1%	F Fixture	SH Static White High Output (29W)	0 No	0 No	V1 Version 1	
	S Square	NCPA New Construction Pan	PEQ0 ⁽²⁾ Lutron Hi-lume Premier, 120-277V, EcoSystem Dimming to 0.1% with Soft-on and Fade-to-Black	R* Remote	SL Static White Low Output (21W)	1 ⁽⁵⁾ Yes (Included)	1 Yes (Included)		
		RMDL Remodel	DPOE ^(3,4) Power Over Ethernet						

*Only necessary if the driver will be physically removed from the luminaire.

FINISHING SECTION ITEM NUMBER

Specify from left to right, e.g. 25FN4RBVSTSW3000NSCFSWV1

25FN4			ST						V1		
Family	Aperture Shape	Trim Style	Regress	Trim Finish	CCT	Optic	Ceiling Application	Ceiling Application Finish	Version	Optical Accessories*	
25FN4 Intervals Recessed Finishing Section	R Round	BV Bevel	ST Standard	SW ⁽⁶⁾ ○ Satin White	2200 ⁽⁷⁾ 2200K	NS 19° Narrow Spot	CF Flanged	SW ⁽¹¹⁾ ○ Satin White	V1 Version 1	HEX Honeycomb Louver	
	S Square	PH Pinhole		SK ● Satin Black	2700 ⁽⁸⁾ 2700K	MS 24° Medium Spot	MW Flangeless Millwork	SK ● Satin Black		LIN ⁽¹²⁾ Linear Spread Lens	
				SA ● Satin Aluminum	3000 ⁽⁸⁾ 3000K	WS 39° Wide Spot	NA ^(9,10) Flangeless Mud-In	SA ● Satin Aluminum		SOL Microprism Lens	
					3500 ⁽⁸⁾ 3500K	FL 60° Flood				CLR Clear Glass Lens	
					4000 ⁽⁸⁾ 4000K					* Blank if none; up to two options. HEX (if second accessory is not specified, will include Clear Glass Lens)	

(1) Non-IC Rated for Driver Location F with Driver PEQ0 or with Driver STAN and Light Source/Power SH
 (2) Requires Light Source/Power SL
 (3) Requires Driver Location R
 (4) Special order, contact factory; requires enclosure provided by others
 (5) Requires Mounting ICCP or NCPA
 (6) Includes Satin Black interior for Trim Style PH
 (7) Minimum 80CRI
 (8) Minimum 90CRI
 (9) Select Flangeless Mud-In 1 in the rough-in section table, or order separately from the accessories table
 (10) Requires Ceiling Application Finish SW
 (11) Field-Paintable
 (12) Not recommended for Optic FL

Accessories ordering information

ACCESSORIES ITEM NUMBERS

(e.g. 25ZCCH27)

25Z		
Family	Style	Style/Finish (if applicable)
25Z Intervals Recessed Accessories	BTF Butterfly Bracket Set (set of 2)	27 27" C-Channel Set
	CCH C-Channel (set of 2, requires butterfly brackets)	52 52" C-Channel Set
	LWP 20' Luminaire Whip for remote driver	SW Satin White Goof Plate
	RSG04 4" Round Shower Gasket	SK Satin Black Goof Plate
	SSG04 4" Square Shower Gasket	SA Satin Aluminum Goof Plate
	RGP04 4" Round Goof Plate	
	SGP04 4" Square Goof Plate	
	HEX04 4" Honeycomb Louver	
	LIN04 4" Linear Spread Lens	
	SOL04 4" Microprism Lens	
	CLR04 4" Clear Glass Lens	

ADDITIONAL OPTICS

(e.g. 25O4NS)

25O4	
Family	Beam Angle
25O4 Intervals Recessed Optics	NS 19° Narrow Spot
	MS 24° Medium Spot
	WS 39° Wide Spot
	FL 60° Flood

ADDITIONAL CEILING APPLICATIONS

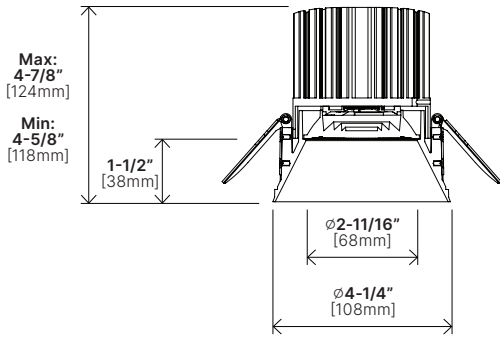
(e.g. 25F4RFMSWV2)

25F4				
Family	Aperture Shape	Style	Finish	Version*
25F4 Intervals Recessed Ceiling Application	R Round	CF Ceiling Flange	SW Satin White	V2 Version 2
	S Square	FM Flangeless Mud-In	SK ⁽¹⁾ Satin Black	
		MW Flangeless Millwork	SA ⁽¹⁾ Satin Aluminum	

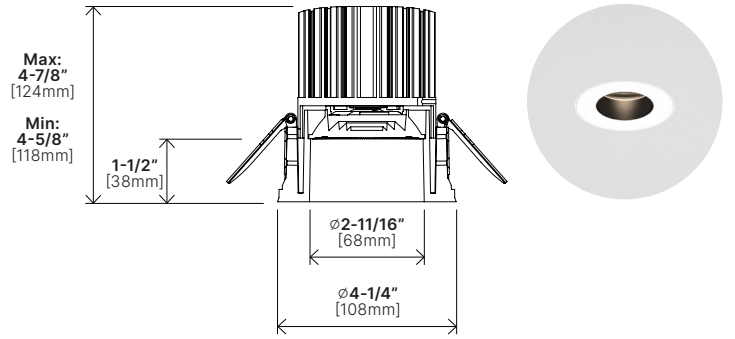
(1) Not available for Flangeless Mud-in
*Only applies to Flangeless Mud-In

Dimensions - Round 4" Fixed

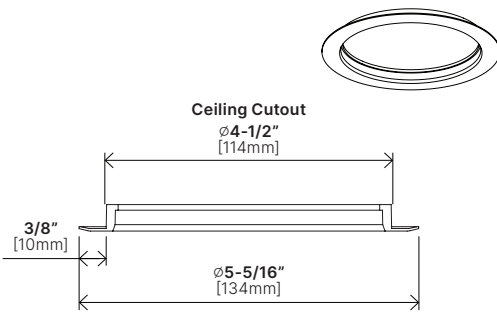
Round Bevel Trim



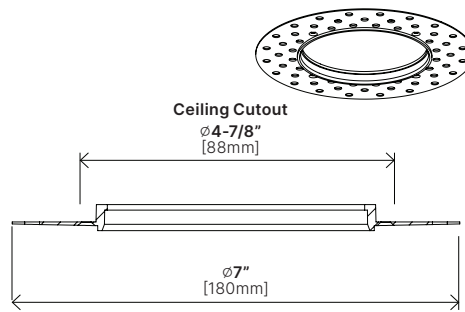
Round Pinhole Trim



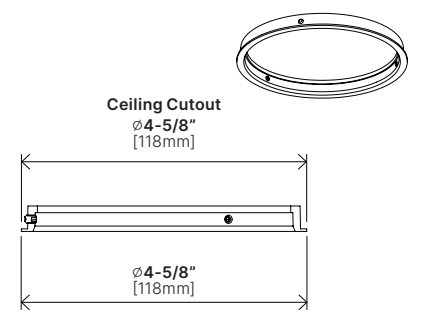
Round Ceiling Flange



Round Flangeless Mud-in Plate

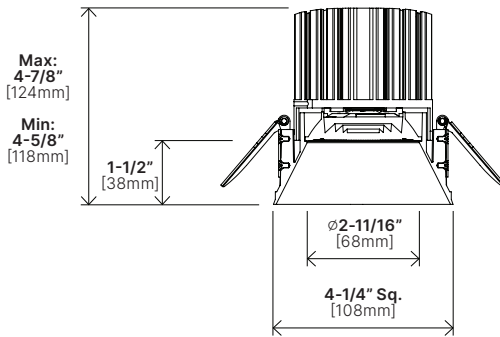


Round Flangeless Millwork Collar

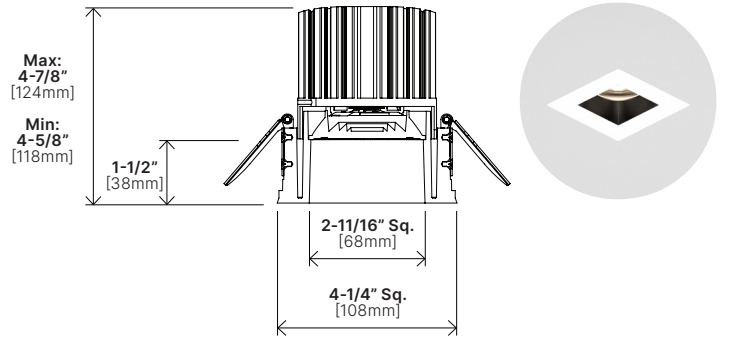


Dimensions - Square 4" Fixed

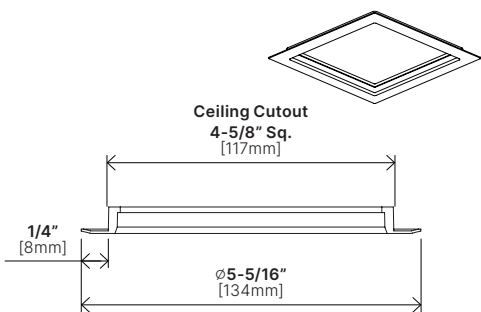
Square Bevel Trim



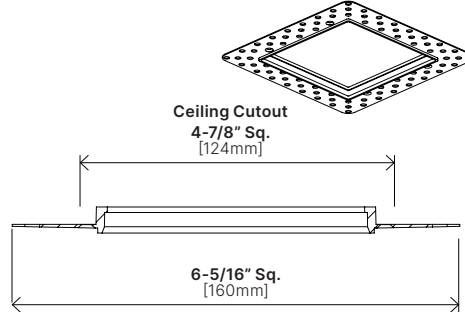
Square Pinhole Trim



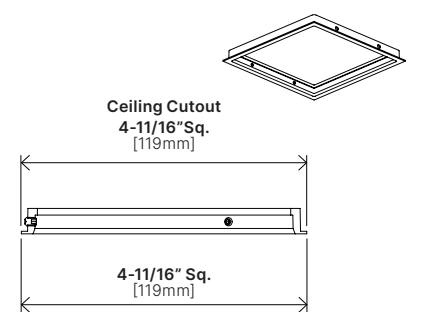
Square Ceiling Flange



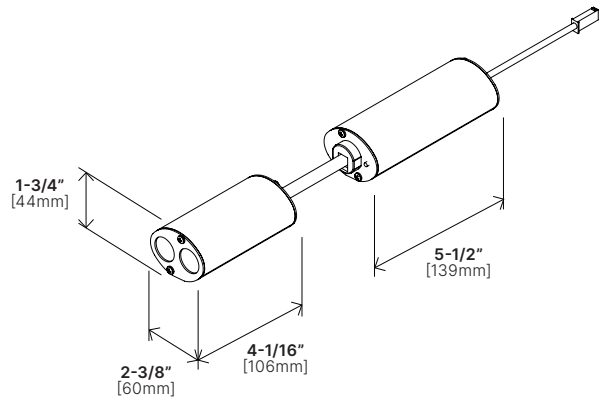
Square Flangeless Mud-in Plate



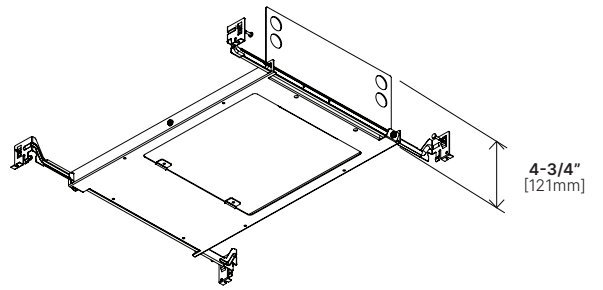
Square Flangeless Millwork Collar



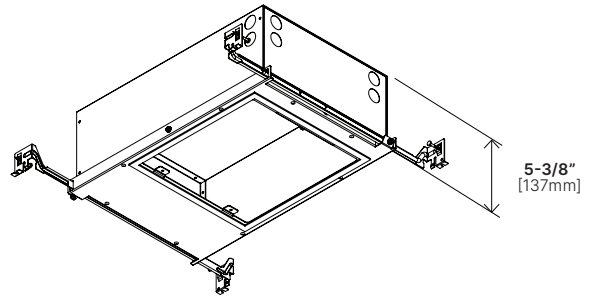
Driver Housing



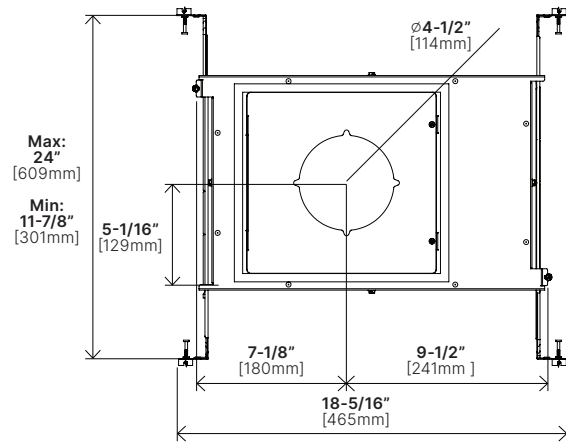
New Construction Pan



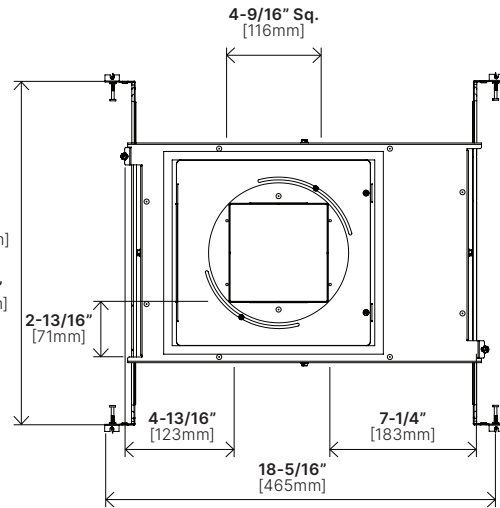
IC Housing



Housing / Pan with 4" Round Adapter Door

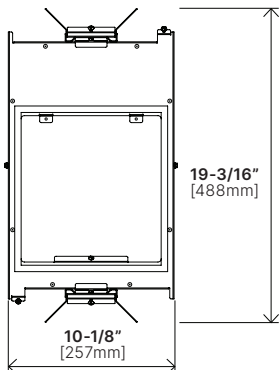


Housing / Pan with 4" Square Adapter Door

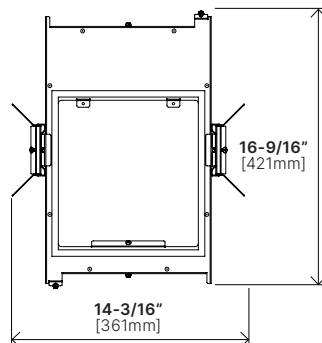


Housing / Pan with Adjustable Butterfly Brackets

Front and Back Application

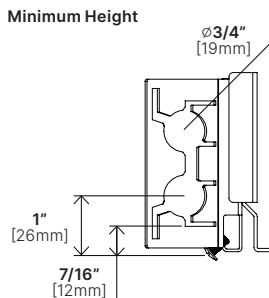


Side Application

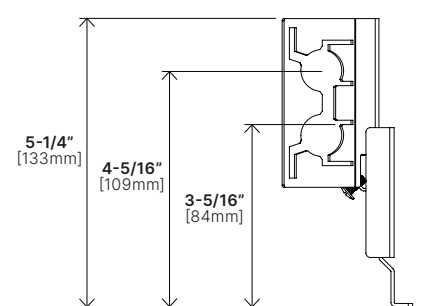


Adjustable Butterfly Brackets

Minimum Height



Maximum Height

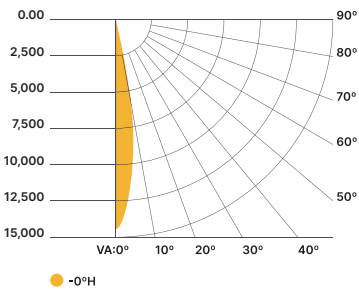


Indoor Photometric Report

4" Recessed Downlight Narrow Spot

Description: 4 inch Round Black Bevel Trim 2700K Narrow Spot 19° | Lamp Output: 1 lamp, rated Lumens/lamp: 2211.6
Input Wattage: 29.8 | Max Cd: 14,310.4 at horizontal: 0°, Vertical: 0° | Spacing Criterion: @0 = 0.33/ @90 = 0.33 | High Output

Polar Candela



Candela table - Type C

	0	45	90	135	180	225	270	315	360
0	14310	14310	14310	14310	14310	14310	14310	14310	14310
5	12040	12017	11950	12017	12040	12017	11950	12017	12040
15	2824	2752	2782	2752	2824	2752	2782	2752	2824
25	474	451	464	451	474	451	464	451	474
35	206	197	207	197	206	197	207	197	206
45	88	88	94	88	88	88	94	88	88
55	3	2	3	2	3	2	3	2	3
65	0	0	0	0	0	0	0	0	0
75	0	0	0	0	0	0	0	0	0
85	0	0	0	0	0	0	0	0	0
90	0	0	0	0	0	0	0	0	0

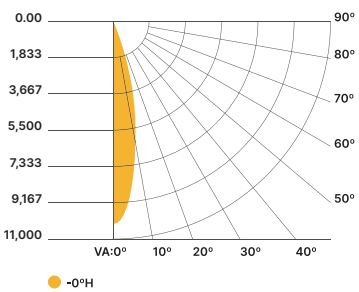
Illuminance at a distance

Height (ft)	Center Beam Footcandle	Beam Spread (ft)		Field Spread (ft)	
		Horizontal	Vertical	Horizontal	Vertical
4.00	894.40 fc	1.3	1.3	2.7	2.7
6.00	397.51 fc	2.0	2.0	4.1	4.1
8.00	223.60 fc	2.7	2.7	5.4	5.4
10.00	143.10 fc	3.4	3.4	6.8	6.8
12.00	99.38 fc	4.0	4.0	8.1	8.1
14.00	73.01 fc	4.7	4.7	9.5	9.5
16.00	55.90 fc	5.4	5.4	10.8	10.9
		Beam Angle		Field Angle	
		19.1°		37.5°	

4" Recessed Downlight Medium Spot

Description: 4 inch Round Black Bevel Trim 2700K Medium Spot 24° | Lamp Output: 1 lamp, rated Lumens/lamp: 2048.6
Input Wattage: 29.8 | Max Cd: 10,823.5 at horizontal: 0°, Vertical: 0° | Spacing Criterion: @0 = 0.39/ @90 = 0.39 | High Output

Polar Candela



Candela table - Type C

	0	45	90	135	180	225	270	315	360
0	10824	10824	10824	10824	10824	10824	10824	10824	10824
5	9370	9372	9280	9372	9370	9372	9280	9372	9370
15	3422	3448	3366	3448	3422	3448	3366	3448	3422
25	320	341	337	341	320	341	337	341	320
35	146	142	148	142	146	142	148	142	146
45	73	70	75	70	73	70	75	70	73
55	2	4	4	4	2	4	4	4	2
65	0	0	0	0	0	0	0	0	0
75	0	0	0	0	0	0	0	0	0
85	0	0	0	0	0	0	0	0	0
90	0	0	0	0	0	0	0	0	0

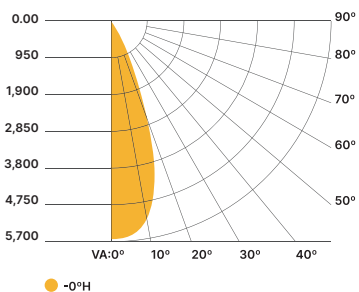
Illuminance at a distance

Height (ft)	Center Beam Footcandle	Beam Spread (ft)		Field Spread (ft)	
		Horizontal	Vertical	Horizontal	Vertical
4.00	676.47 fc	1.6	1.6	2.9	2.9
6.00	300.65 fc	2.4	2.5	4.4	4.3
8.00	169.12 fc	3.3	3.3	5.8	5.8
10.00	108.24 fc	4.1	4.1	7.3	7.2
12.00	75.16 fc	4.9	4.9	8.8	8.7
14.00	55.22 fc	5.7	5.8	10.2	10.1
16.00	42.28 fc	6.5	6.6	11.7	11.5
		Beam Angle		Field Angle	
		23.0°		39.7°	

4" Recessed Downlight Wide Spot

Description: 4 inch Round Black Bevel Trim 2700K Wide Spot 39° | Lamp Output: 1 lamp, rated Lumens/lamp: 2088.8
Input Wattage: 29.9 | Max Cd: 5,677.7 at horizontal: 0°, Vertical: 0° | Spacing Criterion: @0 = 0.6/ @90 = 0.6 | High Output

Polar Candela



Candela table - Type C

	0	45	90	135	180	225	270	315	360
0	5678	5678	5678	5678	5678	5678	5678	5678	5678
5	5538	5545	5535	5545	5538	5545	5535	5545	5538
15	3744	3729	3749	3729	3744	3729	3749	3729	3744
25	721	684	699	684	721	684	699	684	721
35	211	199	215	199	211	199	215	199	211
45	94	90	97	90	94	90	97	90	94
55	2	2	3	2	2	2	3	2	2
65	0	0	0	0	0	0	0	0	0
75	0	0	0	0	0	0	0	0	0
85	0	0	0	0	0	0	0	0	0
90	0	0	0	0	0	0	0	0	0

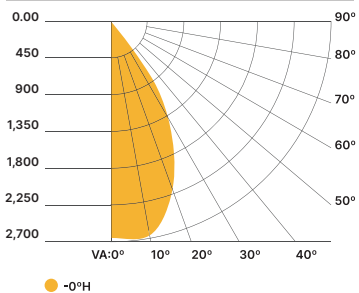
Illuminance at a distance

Height (ft)	Center Beam Footcandle	Beam Spread (ft)		Field Spread (ft)	
		Horizontal	Vertical	Horizontal	Vertical
4.00	354.86 fc	2.6	2.6	3.9	3.9
6.00	157.71 fc	3.9	3.9	5.9	5.9
8.00	88.71 fc	5.2	5.2	7.9	7.9
10.00	56.78 fc	6.5	6.5	9.8	9.9
12.00	39.43 fc	7.8	7.8	11.8	11.8
14.00	28.97 fc	9.1	9.1	13.8	13.8
16.00	22.18 fc	10.4	10.4	15.7	15.8
		Beam Angle		Field Angle	
		35.9°		52.5°	

4" Recessed Downlight Flood

Description: 4 inch Round Black Bevel Trim 2700K Flood 60° | Lamp Output: 1 lamp, rated Lumens/lamp: 2308.1
Input Wattage: 29.9 | Max Cd: 2,689.4 at horizontal: 0°, Vertical: 7.5° | Spacing Criterion: @0 = 0.96/ @90 = 0.96 | High Output

Polar Candela



Candela table - Type C

	0	45	90	135	180	225	270	315	360
0	2645	2645	2645	2645	2645	2645	2645	2645	2645
5	2671	2668	2669	2668	2671	2668	2669	2668	2671
15	2500	2511	2518	2511	2500	2511	2518	2511	2500
25	1860	1873	1865	1873	1860	1873	1865	1873	1860
35	597	601	609	601	597	601	609	601	597
45	122	127	128	127	122	127	128	127	122
55	18	19	20	19	18	19	20	19	18
65	0	0	0	0	0	0	0	0	0
75	0	0	0	0	0	0	0	0	0
85	0	0	0	0	0	0	0	0	0
90	0	0	0	0	0	0	0	0	0

Illuminance at a distance

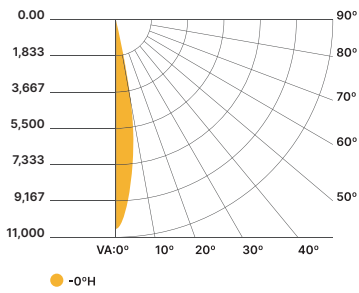
Height (ft)	Center Beam Footcandle	Beam Spread (ft)		Field Spread (ft)	
		Horizontal	Vertical	Horizontal	Vertical
4.00	165.29 fc	4.3	4.5	6.7	6.8
6.00	73.46 fc	6.5	6.7	10.1	10.2
8.00	41.32 fc	8.6	8.9	13.5	13.6
10.00	26.45 fc	10.8	11.2	16.9	17.1
12.00	18.37 fc	12.9	13.4	20.2	20.5
14.00	13.49 fc	15.1	15.6	23.6	23.9
16.00	10.33 fc	17.2	17.8	27.0	27.3
		Beam Angle		Field Angle	
		56.6°		80.9°	

Indoor Photometric Report

4" Recessed Downlight Narrow Spot

Description: 4 inch Round Black Bevel Trim 2700K Narrow Spot 19° | Lamp Output: 1 lamp, rated Lumens/lamp: 1672.2
Input Wattage: 20.4 | Max Cd: 10,793.0 at Horizontal: 0°, Vertical: 0° | Spacing Criterion: @0 = 0.33/ @90 = 0.33 | Low Output

Polar Candela



Candela table - Type C

Table with 10 columns (0, 45, 90, 135, 180, 225, 270, 315, 360) and 10 rows (0, 5, 15, 25, 35, 45, 55, 65, 75, 85, 90) showing candela values.

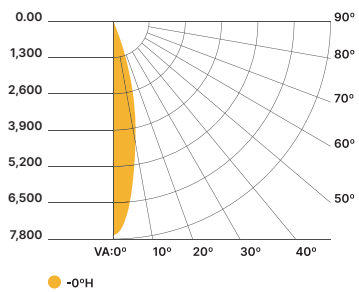
Illuminance at a distance

Table with 5 columns (Height (ft), Center Beam Footcandle, Beam Spread (ft) Horizontal, Vertical, Field Spread (ft) Horizontal, Vertical) and 10 rows (4.00, 6.00, 8.00, 10.00, 12.00, 14.00, 16.00) showing illuminance data.

4" Recessed Downlight Medium Spot

Description: 4 inch Round Black Bevel Trim 2700K Medium Spot 24° | Lamp Output: 1 lamp, rated Lumens/lamp: 1577.9
Input Wattage: 20.4 | Max Cd: 7,767.6 at horizontal: 0°, Vertical: 0° | Spacing Criterion: @0 = 0.4/ @90 = 0.41 | Low Output

Polar Candela



Candela table - Type C

Table with 10 columns (0, 45, 90, 135, 180, 225, 270, 315, 360) and 10 rows (0, 5, 15, 25, 35, 45, 55, 65, 75, 85, 90) showing candela values.

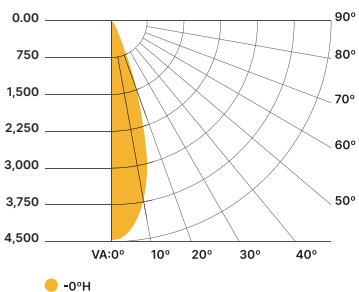
Illuminance at a distance

Table with 5 columns (Height (ft), Center Beam Footcandle, Beam Spread (ft) Horizontal, Vertical, Field Spread (ft) Horizontal, Vertical) and 10 rows (4.00, 6.00, 8.00, 10.00, 12.00, 14.00, 16.00) showing illuminance data.

4" Recessed Downlight Wide Spot

Description: 4 inch Round Black Bevel Trim 2700K Wide Spot 39° | Lamp Output: 1 lamp, rated Lumens/lamp: 1558.9
Input Wattage: 20.4 | Max Cd: 4,454.8 at horizontal: 0°, Vertical: 0° | Spacing Criterion: @0 = 0.58/ @90 = 0.57 | Low Output

Polar Candela



Candela table - Type C

Table with 10 columns (0, 45, 90, 135, 180, 225, 270, 315, 360) and 10 rows (0, 5, 15, 25, 35, 45, 55, 65, 75, 85, 90) showing candela values.

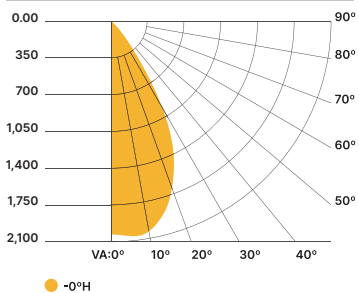
Illuminance at a distance

Table with 5 columns (Height (ft), Center Beam Footcandle, Beam Spread (ft) Horizontal, Vertical, Field Spread (ft) Horizontal, Vertical) and 10 rows (4.00, 6.00, 8.00, 10.00, 12.00, 14.00, 16.00) showing illuminance data.

4" Recessed Downlight Flood

Description: 4 inch Round Black Bevel Trim 2700K Flood 60° | Lamp Output: 1 lamp, rated Lumens/lamp: 1733.2
Input Wattage: 20.4 | Max Cd: 2,039.1 at horizontal: 45°, Vertical: 7.5° | Spacing Criterion: @0 = 0.95/ @90 = 0.94 | Low Output

Polar Candela



Candela table - Type C

Table with 10 columns (0, 45, 90, 135, 180, 225, 270, 315, 360) and 10 rows (0, 5, 15, 25, 35, 45, 55, 65, 75, 85, 90) showing candela values.

Illuminance at a distance

Table with 5 columns (Height (ft), Center Beam Footcandle, Beam Spread (ft) Horizontal, Vertical, Field Spread (ft) Horizontal, Vertical) and 10 rows (4.00, 6.00, 8.00, 10.00, 12.00, 14.00, 16.00) showing illuminance data.