

Notes



Fixture Type

Project

Location

Model Number

Description

Intervals Recessed 4" Downlights offer specification grade performance and features, in a completely modular and field-configurable system;

Every light engine integrates with any of the trims, and every trim works with all of the ceiling application and housing options

Delivered Lumens

Up to 1,900Lm

Watts

27W

Optics (Field Changeable)

23° / 27° / 39° / 55°

Trim Options

Round

Bevel; Pinhole

Square

Bevel; Pinhole

Color Temperature



Min. 95CRI

Available Finishes



Satin Black

Satin Aluminum

Satin White

Ceiling Applications



Flanged

Mud-in

Millwork

Light Engine

- Up to 1,900 delivered lumens, 27W, field-replaceable;
- Cold forged aluminum with anodized champagne finish provides a lightweight heat sink with excellent thermal performance in a compact size;
- LTF chip-on-board LED with warm dimming from 3000K to 1650K, min. 95 CRI, and 3-Step color binning.

Driver

- Standard driver is field-replaceable and accessible from below the ceiling;
- 120/277VAC input;
- 1% dimming with forward/reverse phase (at 120VAC) and 0-10V dimming controls;
- Multiple drivers with additional dimming protocols available.

Optics

- Field-changeable TIR optics with a smooth beam, no softening lens required;
- Available in narrow spot (23°), medium spot (27°), wide spot (39°), and flood (55°) distributions;
- Up to 2 optical accessories can be used without any extra holder, to further refine lighting effects. Available optical accessories include honeycomb louver microprism lens, linear spread lens, and clear glass lens.

Trims

- Die cast aluminum construction for strength and durability;
- Patented spring-loaded connection to the light engine keeps the optic tight against the trim opening, providing a highly efficient and an inherently airtight fixture;
- Electro-coated steel spring wings allow for tool-free installation and servicing in ceiling thicknesses from 0.5"-1.5";
- Delivered lumens are maintained through the full range of ceiling thicknesses;
- Available in powder coated satin white and satin black, and painted satin aluminum finishes.

Ceiling Applications

- Available in flanged, flangeless mud-in, and flangeless millwork, all in die cast aluminum;
- Flanged ceiling application features a tapered Feather Edge™ profile for a minimal appearance and provides a universal solution for all ceiling types. Available in trim coordinating finishes of satin black, satin aluminum, and field-paintable satin white;
- Flangeless mud-in ceiling application securely attaches to the housing or remodel ceiling, providing a flush and seamless appearance in gypsum and plaster ceilings with no warping or cracking. Available in field-paintable satin white finish;
- Flangeless millwork ceiling application provides a flangeless appearance in wood or stone ceilings. Available in trim coordinating finishes of satin black, satin aluminum, and field-paintable satin white.

Housings/Installation

- Patented two-part junction box and driver housing is included for remodel and new construction installations and allows for easy servicing and inspection from below the ceiling;
- Junction box has two 1/2" trade size knockouts and is rated for through-wiring of 12AWG conductors;
- New Construction Pan and IC Housing feature a patented field-changeable adapter door, allowing the same pan or housing to be converted to a different size (2", 3", or 4") or shape (round or square) in the field, up until the ceiling is installed;
- Square adapter doors feature a reject collar that is adjustable 90 degrees and has gunsight notches for precise alignment;
- New Construction Pan and IC Housing include adjustable hanger bars for installation to wood joists or T-grid suspended ceilings;
- Adjustable height butterfly brackets are available for mounting with the available C-channel, the included adjustable hanger bars, EMT, or furring strip.

Ratings/Certifications

- ETL listed to US and Canadian standards (UL1598)
- Wet location rated. Optional shower gasket available for use with flanged ceiling application. Millwork ceiling application requires caulking for wet location rating, otherwise damp location rated;
- Meets CA Title 24 Part 6 JA8 High Efficacy LED and Chicago plenum requirements when used with standard driver and IC housing;
- 5 year limited warranty (see website for terms);



## How to Order

Build your item numbers for the rough-in section (includes housing and driver) and the finishing section (includes LED light engine, trim, optic, and ceiling application), plus any accessories ordered separately.

## Made-to-Order — Program ordering information

### ROUGH-IN SECTION ITEM NUMBER

Specify from left to right, e.g. 25RN4RICCPSTANFWD00V1

<b>25RN4</b>					<b>WD</b>				<b>V1</b>
Family	Aperture Shape	Mounting	Driver	Driver Location	Light Source /Power	Butterfly Brackets	Flangeless Mud-In	Version	
<b>25RN4</b> Intervals Recessed Rough-In Section	<b>R</b> Round	<b>ICCP</b> <sup>(1)</sup> New Construction IC Housing, Chicago Plenum	<b>STAN</b> ERP, 120/277V, Forward Phase, Reverse Phase, and 0-10V Dimming to 1%	<b>F</b> Fixture	<b>WD</b> Static White High Output (27W)	<b>0</b> No	<b>0</b> No	<b>V1</b> Version 1	
	<b>S</b> Square	<b>NCPA</b> New Construction Pan	<b>DPOE</b> <sup>(2,3)</sup> Power Over Ethernet	<b>R*</b> Remote		<b>1</b> <sup>(4)</sup> Yes (Included)	<b>1</b> Yes (Included)		
		<b>RMDL</b> Remodel							

\*Only necessary if the driver will be physically removed from the luminaire.

### FINISHING SECTION ITEM NUMBER

Specify from left to right, e.g. 25FN4RBVSTSW3018NSCFSWV1

<b>25FN4</b>			<b>ST</b>		<b>3018</b>				<b>V1</b>		
Family	Aperture Shape	Trim Style	Regress	Trim Finish	CCT	Optic	Ceiling Application	Ceiling Application Finish	Version	Optical Accessories*	
<b>25FN4</b> Intervals Recessed Finishing Section	<b>R</b> Round	<b>BV</b> Bevel	<b>ST</b> Standard	<b>SW</b> <sup>(5)</sup> ○ Satin White	<b>3018</b> 3000K-1650K	<b>NS</b> 23° Narrow Spot	<b>CF</b> Flanged	<b>SW</b> <sup>(6)</sup> ○ Satin White	<b>V1</b> Version 1	<b>HEX</b> Honeycomb Louver	
	<b>S</b> Square	<b>PH</b> Pinhole		<b>SK</b> ● Satin Black		<b>MS</b> 27° Medium Spot	<b>MW</b> Flangeless Millwork	<b>SK</b> ● Satin Black		<b>LIN</b> <sup>(9)</sup> Linear Spread Lens	
				<b>SA</b> ● Satin Aluminum		<b>WS</b> 39° Wide Spot	<b>NA</b> <sup>(6,7)</sup> Flangeless Mud-In	<b>SA</b> ● Satin Aluminum		<b>SOL</b> Microprism Lens	
						<b>FL</b> 55° Flood				<b>CLR</b> Clear Glass Lens	

\* Blank if none; up to two options. HEX (if second accessory is not specified, will include Clear Glass Lens)

- (1) Non-IC Rated for Driver Location F
- (2) Requires Driver Location R
- (3) Special order, contact factory; requires enclosure provided by others
- (4) Requires Mounting ICCP or NCPA
- (5) Includes Satin Black interior for Trim Style PH
- (6) Select Flangeless Mud-In 1 in the rough-in section table, or order separately from the accessories table
- (7) Requires Ceiling Application Finish SW
- (8) Field-Paintable
- (9) Not recommended for Optic FL

## Accessories ordering information

### ACCESSORIES ITEM NUMBERS

(e.g. 25ZCCH27)

25Z		
Family	Style	Style/Finish (if applicable)
<b>25Z</b> Intervals Recessed Accessories	<b>BTF</b> Butterfly Bracket Set (set of 2)	<b>27</b> 27" C-Channel Set
	<b>CCH</b> C-Channel (set of 2, requires butterfly brackets)	<b>52</b> 52" C-Channel Set
	<b>LWP</b> 20' Luminaire Whip for remote driver	<b>SW</b> Satin White Goof Plate
	<b>RSG04</b> 4" Round Shower Gasket	<b>SK</b> Satin Black Goof Plate
	<b>SSG04</b> 4" Square Shower Gasket	<b>SA</b> Satin Aluminum Goof Plate
	<b>RGP04</b> 4" Round Goof Plate	
	<b>SGP04</b> 4" Square Goof Plate	
	<b>HEX04</b> 4" Honeycomb Louver	
	<b>LIN04</b> 4" Linear Spread Lens	
	<b>SOL04</b> 4" Microprism Lens	
	<b>CLR04</b> 4" Clear Glass Lens	

### ADDITIONAL OPTICS

(e.g. 25O4NS)

25O4	
Family	Beam Angle
<b>25O4</b> Intervals Recessed Optics	<b>NS</b> 23° Narrow Spot
	<b>MS</b> 27° Medium Spot
	<b>WS</b> 39° Wide Spot
	<b>FL</b> 55° Flood

### ADDITIONAL CEILING APPLICATIONS

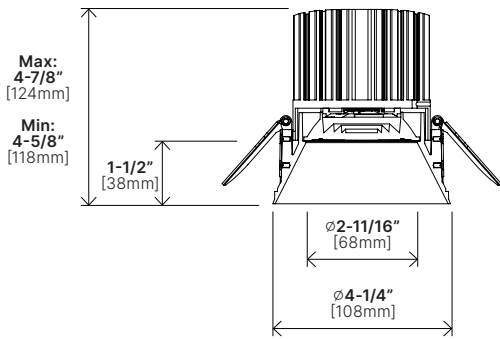
(e.g. 25F4RFMSWV2)

25F4				
Family	Aperture Shape	Style	Finish	Version*
<b>25F4</b> Intervals Recessed Ceiling Application	<b>R</b> Round	<b>CF</b> Ceiling Flange	<b>SW</b> Satin White	<b>V2</b> Version 2
	<b>S</b> Square	<b>FM</b> Flangeless Mud-In	<b>SK <sup>(1)</sup></b> Satin Black	
		<b>MW</b> Flangeless Millwork	<b>SA <sup>(1)</sup></b> Satin Aluminum	

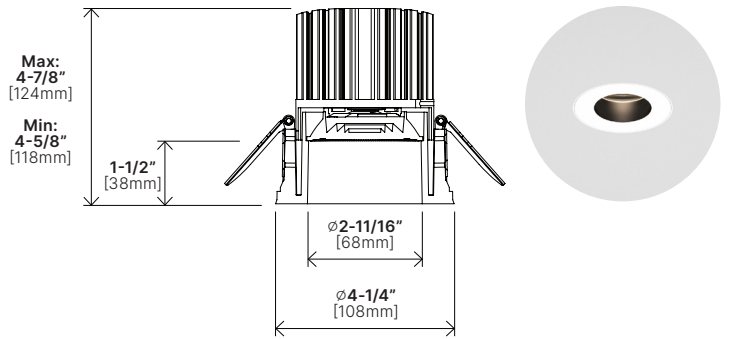
(1) Not available for Flangeless Mud-in  
\*Only applies to Flangeless Mud-In

## Dimensions - Round 4" Fixed

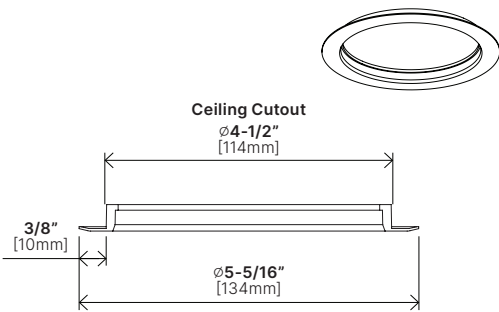
### Round Bevel Trim



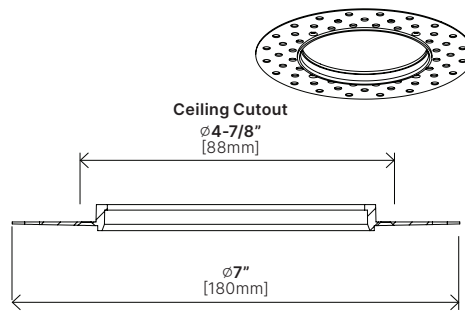
### Round Pinhole Trim



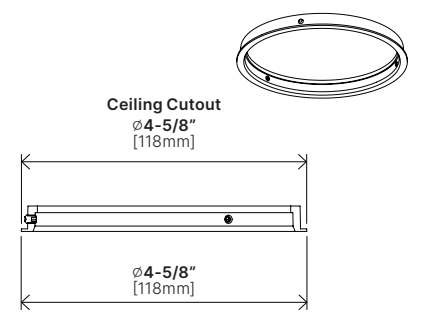
### Round Ceiling Flange



### Round Flangeless Mud-in Plate

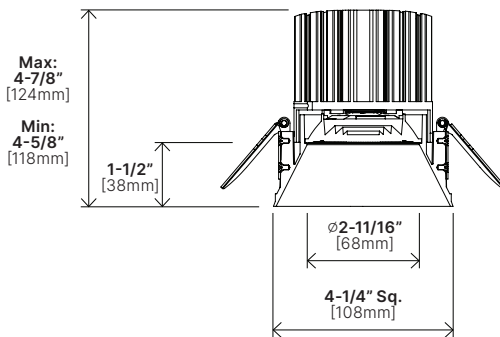


### Round Flangeless Millwork Collar

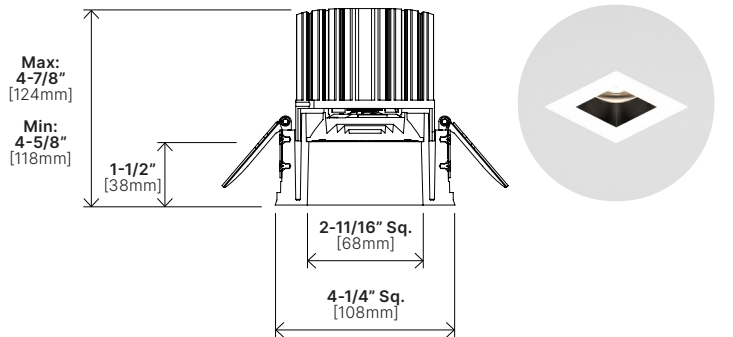


## Dimensions - Square 4" Fixed

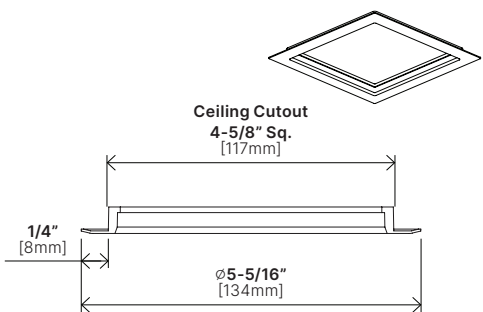
### Square Bevel Trim



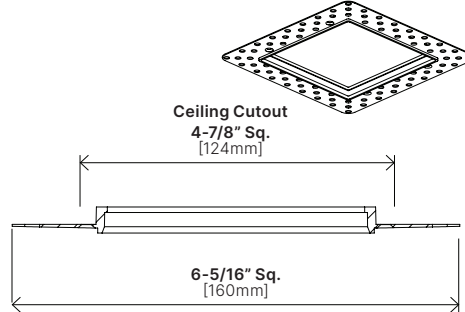
### Square Pinhole Trim



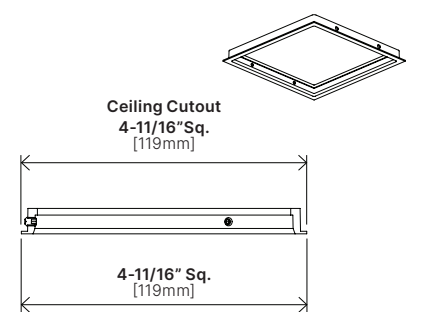
### Square Ceiling Flange



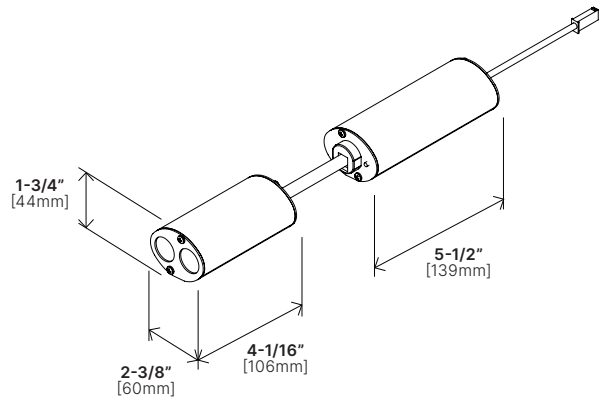
### Square Flangeless Mud-in Plate



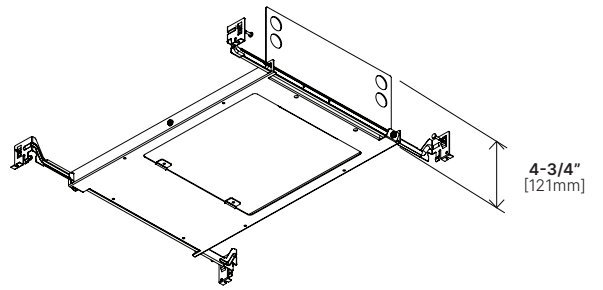
### Square Flangeless Millwork Collar



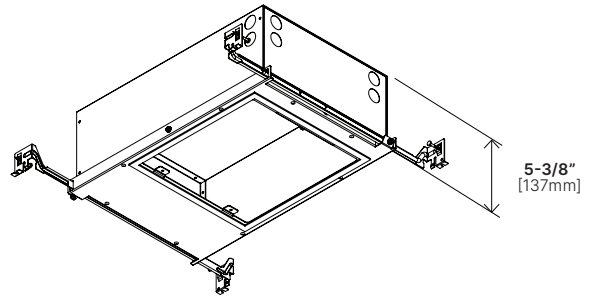
Driver Housing



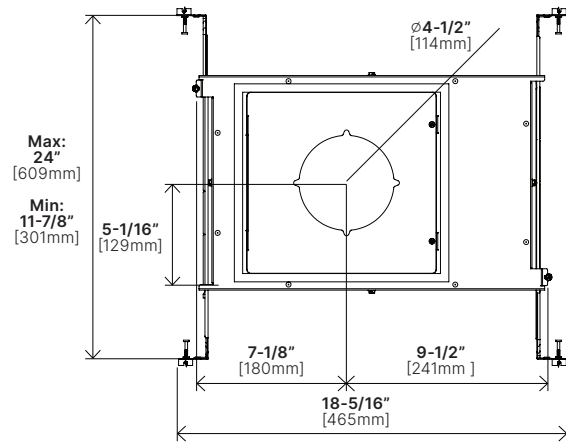
New Construction Pan



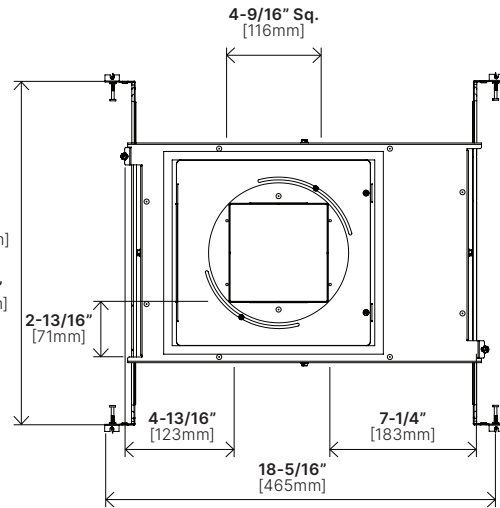
IC Housing



Housing / Pan with 4" Round Adapter Door

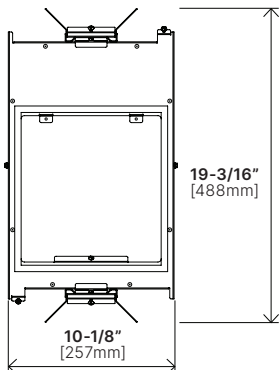


Housing / Pan with 4" Square Adapter Door

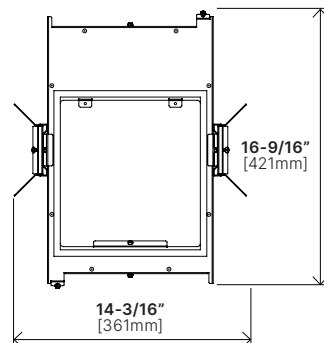


Housing / Pan with Adjustable Butterfly Brackets

Front and Back Application

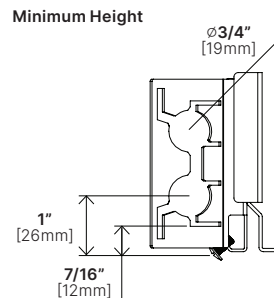


Side Application

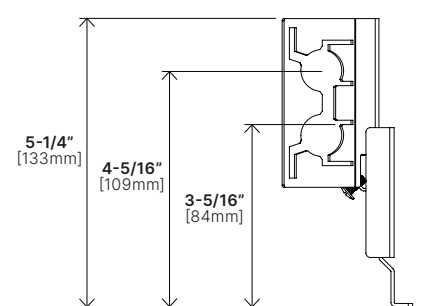


Adjustable Butterfly Brackets

Minimum Height



Maximum Height

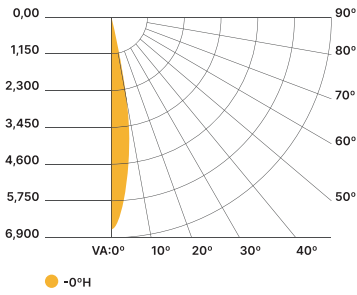


## Indoor Photometric Report

### 4" Recessed Downlight Narrow Spot

Description: 4 inch Round Bevel Trim Warm Dimming Narrow Spot 23° | Lamp Output: 1 lamp, rated Lumens/lamp: 2490.6  
Input Wattage: 26.7377 Max Cd: 14,438.5 at horizontal: 0°, Vertical: 0° | Spacing Criterion: @0 = 0.3/ @90 = 0.33

#### Polar Candela



#### Illuminance at a distance

Height (ft)	Center Beam Footcandle	Beam Spread (ft)		Field Spread (ft)	
		Horizontal	Vertical	Horizontal	Vertical
8.00	125.58 fc	3.2	3.2	6.5	6.5
10.00	80.37 fc	4.0	4.0	8.2	8.1
12.00	55.82 fc	4.8	4.8	9.8	9.7
14.00	41.01 fc	5.6	5.6	11.5	11.4
16.00	31.40 fc	6.4	6.4	13.1	13.0
		Beam Angle		Field Angle	
		22.7°	22.7°	44.5°	44.3°

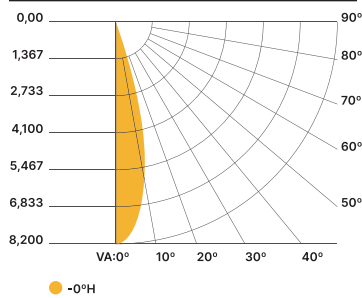
#### Candela table - Type C

	0	22,5	45	67,5	90
0	14310	14310	14310	14310	14310
5	12040	12026	12017	12037	11950
15	2824	2779	2752	2777	2782
25	474	460	451	452	464
35	206	197	197	202	207
45	88	86	88	93	94
55	3	3	2	3	3
65	0	0	0	0	0
75	0	0	0	0	0
85	0	0	0	0	0
90	0	0	0	0	0

### 4" Recessed Downlight Medium Spot

Description: 4 inch Round Bevel Trim Warm Dimming Medium Spot 27° | Lamp Output: 1 lamp, rated Lumens/lamp: 1750.5  
Input Wattage: 27.3042 | Max Cd: 6,862.4 at horizontal: 225°, Vertical: 1° | Spacing Criterion: @0 = 0.43/ @90 = 0.44

#### Polar Candela



#### Illuminance at a distance

Height (ft)	Center Beam Footcandle	Beam Spread (ft)		Field Spread (ft)	
		Horizontal	Vertical	Horizontal	Vertical
1.00	6,847.40 LUX	0.5	0.5	0.8	0.8
2.00	1,711.85 LUX	0.9	0.9	1.7	1.7
3.00	760.82 LUX	1.4	1.4	2.5	2.5
4.00	427.96 LUX	1.9	1.9	3.3	3.3
		Beam Angle		Field Angle	
		26.4°	26.5°	45.4°	45.3°

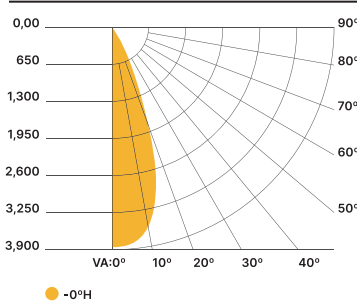
#### Candela table - Type C

	0	22,5	45	67,5	90
0	10824	10824	10824	10824	10824
5	9370	9385	9372	9369	9280
15	3422	3441	3448	3419	3366
25	320	323	341	347	337
35	146	140	142	145	148
45	73	72	70	73	75
55	2	3	4	4	4
65	0	0	0	0	0
75	0	0	0	0	0
85	0	0	0	0	0
90	0	0	0	0	0

### 4" Recessed Downlight Wide Spot

Description: 4 inch Round Bevel Trim Warm Dimming Wide Spot 39° | Lamp Output: 1 lamp, rated Lumens/lamp: 1784  
Input Wattage: 27.2724 | Max Cd: 3,852.7 at horizontal: 0°, Vertical: 1° | Spacing Criterion: @0 = 0.62/ @90 = 0.65

#### Polar Candela



#### Illuminance at a distance

Height (ft)	Center Beam Footcandle	Beam Spread (ft)		Field Spread (ft)	
		Horizontal	Vertical	Horizontal	Vertical
8.00	60.15 fc	5.7	5.7	8.9	8.9
10.00	38.50 fc	7.1	7.1	11.2	11.2
12.00	26.73 fc	8.6	8.6	13.4	13.4
14.00	19.64 fc	10.0	10.0	15.6	15.6
16.00	15.04 fc	11.4	11.4	17.9	17.9
		Beam Angle		Field Angle	
		39.3°	39.3°	58.4°	58.4°

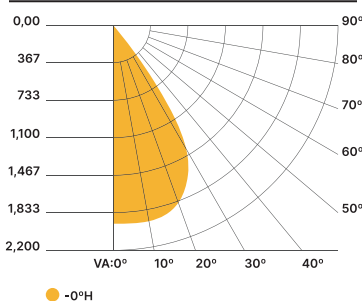
#### Candela table - Type C

	0	22,5	45	67,5	90
0	5678	5678	5678	5678	5678
5	5538	5543	5545	5545	5535
15	3744	3736	3729	3728	3749
25	721	686	684	693	699
35	211	202	199	209	215
45	94	92	90	95	97
55	2	2	2	2	3
65	0	0	0	0	0
75	0	0	0	0	0
85	0	0	0	0	0
90	0	0	0	0	0

### 4" Recessed Downlight Flood

Description: 4 inch Round Bevel Warm Dimming 3000K Flood 55° | Lamp Output: 1 lamp, rated Lumens/lamp: 1901  
Input Wattage: 27.2369 Max Cd: 2,112,3 at horizontal: 225°, Vertical: 18° | Spacing Criterion: @0 = 1/ @90 = 1.02

#### Polar Candela



#### Illuminance at a distance

Height (ft)	Center Beam Footcandle	Beam Spread (ft)		Field Spread (ft)	
		Horizontal	Vertical	Horizontal	Vertical
8.00	30.23 fc	8.2	8.4	12.9	13.2
10.00	19.34 fc	10.3	10.5	16.2	16.5
12.00	13.43 fc	12.3	12.6	19.4	19.8
14.00	9.87 fc	14.4	14.8	22.7	23.1
16.00	7.56 fc	16.4	16.9	25.9	26.4
		Beam Angle		Field Angle	
		54.4°	55.6°	77.9°	79.0°

#### Candela table - Type C

	0	22,5	45	67,5	90
0	2645	2645	2645	2645	2645
5	2671	2673	2668	2668	2669
15	2500	2511	2511	2506	2518
25	1860	1875	1873	1868	1865
35	597	606	601	602	609
45	122	128	127	126	128
55	18	19	19	19	20
65	0	0	0	0	0
75	0	0	0	0	0
85	0	0	0	0	0
90	0	0	0	0	0